
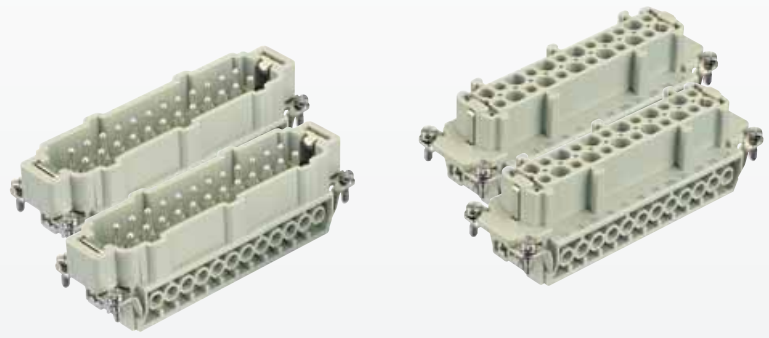
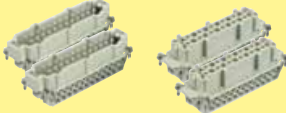
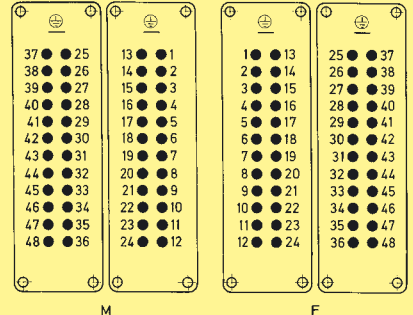

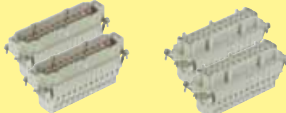
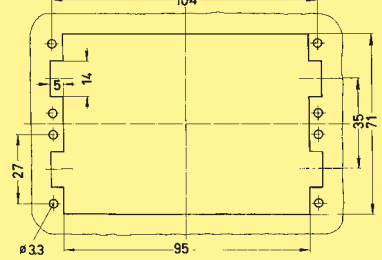
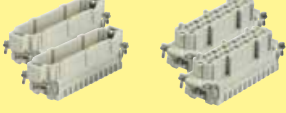


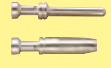


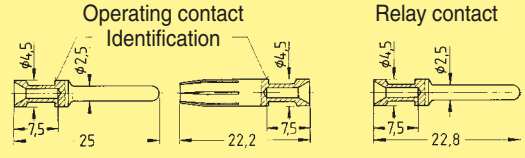

Number of contacts

48 + 



Inserts


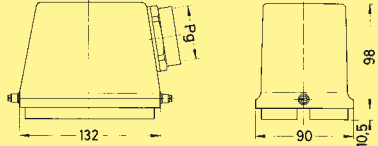

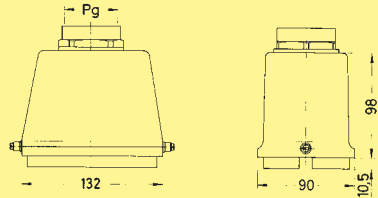

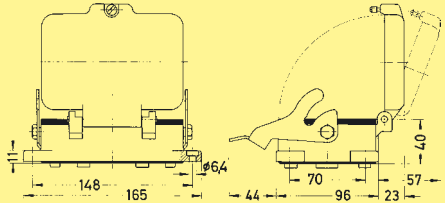
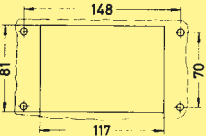

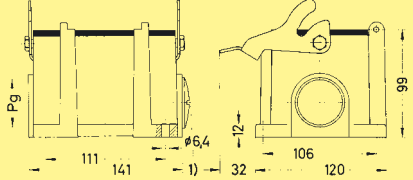
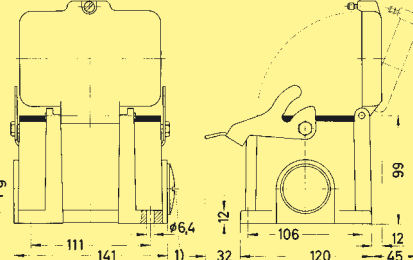
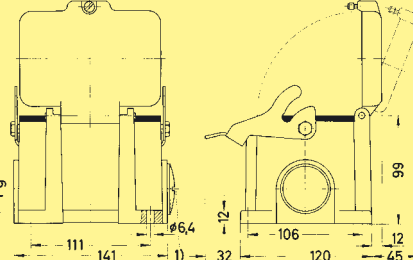
Identification	Series	Part No.		Drawing	Dimensions in mm
		Male insert (M)	Female insert (F)		
Screw terminal with wire protection 	Han E®			Dimensions for inserts see page 03.26 Contact arrangement View from termination side 	
	1–24 25–48	09 33 024 2601 09 33 024 2611	09 33 024 2701 09 33 024 2711		
Cage-clamp terminal 	Han® ES				
	1–24 25–48	09 33 024 2616 09 33 024 2626	09 33 024 2716 09 33 024 2726		
Cage-clamp terminal two terminals per contact 	Han® ESS			Panel cut out for inserts for use without hoods/housings 	
	1–24 1–24	09 33 024 2672 09 33 024 2672	09 33 024 2772 09 33 024 2772		
Crimpanschluss Order contacts separately 	Han E®				
	1–24 25–48	09 33 024 2602 09 33 024 2612	09 33 024 2702 09 33 024 2712		

Identification	Wire gauge (mm²)	Part No.		Drawing	Dimensions in mm																												
		Male contacts	Female contacts																														
Crimp contacts Power contacts silver plated  gold plated  Relay contact silver plated 	0.14-0.37	09 33 000 6127*	09 33 000 6227*	 Crimp contact identification <table border="1"> <thead> <tr> <th>Identification</th> <th>Wire gauge</th> <th>Stripping length</th> </tr> </thead> <tbody> <tr> <td>no groove</td> <td>0.14-0.37 mm²</td> <td>AWG 26-22</td> </tr> <tr> <td>no groove</td> <td>0.5 mm²</td> <td>AWG 20</td> </tr> <tr> <td>1 groove*</td> <td>0.75 mm²</td> <td>AWG 18</td> </tr> <tr> <td>1 groove</td> <td>1 mm²</td> <td>AWG 18</td> </tr> <tr> <td>2 grooves</td> <td>1.5 mm²</td> <td>AWG 16</td> </tr> <tr> <td>3 grooves</td> <td>2.5 mm²</td> <td>AWG 14</td> </tr> <tr> <td>wide groove</td> <td>3.0 mm²</td> <td>AWG 12</td> </tr> <tr> <td>no groove</td> <td>4 mm²</td> <td>AWG 12</td> </tr> </tbody> </table>	Identification	Wire gauge	Stripping length	no groove	0.14-0.37 mm²	AWG 26-22	no groove	0.5 mm²	AWG 20	1 groove*	0.75 mm²	AWG 18	1 groove	1 mm²	AWG 18	2 grooves	1.5 mm²	AWG 16	3 grooves	2.5 mm²	AWG 14	wide groove	3.0 mm²	AWG 12	no groove	4 mm²	AWG 12		
	Identification	Wire gauge	Stripping length																														
	no groove	0.14-0.37 mm²	AWG 26-22																														
	no groove	0.5 mm²	AWG 20																														
	1 groove*	0.75 mm²	AWG 18																														
	1 groove	1 mm²	AWG 18																														
	2 grooves	1.5 mm²	AWG 16																														
	3 grooves	2.5 mm²	AWG 14																														
	wide groove	3.0 mm²	AWG 12																														
	no groove	4 mm²	AWG 12																														
0.5	09 33 000 6121	09 33 000 6220																															
0.75	09 33 000 6114	09 33 000 6214																															
1.0	09 33 000 6105	09 33 000 6205																															
1.5	09 33 000 6104	09 33 000 6204																															
2.5	09 33 000 6102	09 33 000 6202																															
3	09 33 000 6106	09 33 000 6206																															
4	09 33 000 6107	09 33 000 6207																															
0.14-0.37	09 33 000 6117*	09 33 000 6217*																															
0.5	09 33 000 6122	09 33 000 6222																															
0.75	09 33 000 6115	09 33 000 6215																															
1.0	09 33 000 6118	09 33 000 6218																															
1.5	09 33 000 6116	09 33 000 6216																															
2.5	09 33 000 6123	09 33 000 6223																															
4.0	09 33 000 6119	09 33 000 6221																															
0.75-1	09 33 000 6109																																
1.5	09 33 000 6110																																
2.5	09 33 000 6111																																
Coding Pin 			09 33 000 9954																														

To avoid accidental incorrect mating of adjacent connectors a coding system is required. Coding is effected – by means of a code pin. For this reason a female contact has to be inserted into the selected chamber. The code pin has to be assembled into this contact from the mating side. The opposite male contact is omitted.

* only to be used with BUCHANAN crimping tool 09 99 000 0001 and adjustment gauge 09 99 000 0203

with 1 lever on the housing for 2 inserts

Identification	Part No.	Pg	Drawing	Dimensions in mm	
Hoods	Hoods side-entry 	09 30 048 0540 09 30 048 0541 09 30 048 0542	29 36 42		
	Hoods top-entry 	09 30 048 0440 09 30 048 0441 09 30 048 0442	29 36 42		
Housings	Housings bulkhead mounting 	with thermo-plastic cover 09 30 048 0301	—		
		with metal cover 09 30 048 0317	—	Panel cut out 	
Housings	Housings surface mounting 2 side-entries 	09 30 048 0290 09 30 048 0291	29 36		
		with thermo-plastic cover 09 30 048 0295 09 30 048 0296	29 36		
		with metal cover 09 30 048 2295 09 30 048 2296	29 36		

Han Hoods Housings

1) Blind way