

Description

Single and multipole magnetic circuit breakers with trip-free mechanism and toggle actuation. A choice of fast magnetic only or hydraulically delayed switching characteristics (S-type MO or HM CBE to EN 60934) ensures suitability for a wide range of applications. Industry standard dimensions and panel mounting. Options include auxiliary changeover contacts, or relay trip function. Low temperature sensitivity at rated load. Approved to CBE standard EN 60934 (IEC 60934).

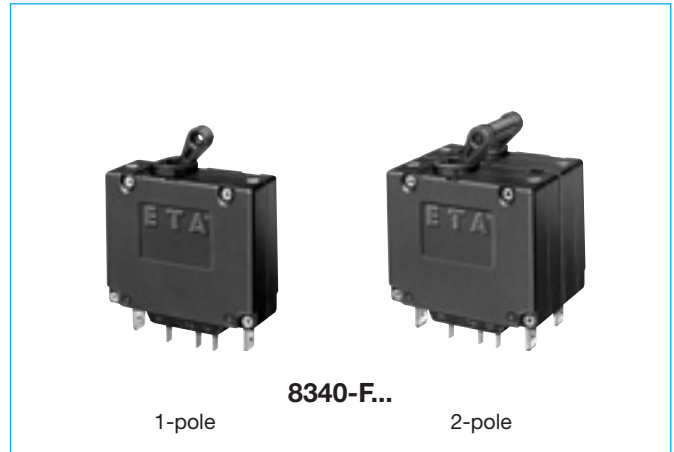
Typical applications

Control equipment, communications systems, transportation, power supplies.

Standard current ratings and typical internal resistance values

Current rating (A)	Curves and internal resistance per pole (Ω)			
	F1	F2	K1, M1, T1,	K2, M2, T2
0.02	1493	953	2669	2457
0.05	276	152	452	376
0.1	58	37	100	94
0.25	8.2	6.0	15.5	14.7
0.5	2.3	1.47	3.9	3.2
0.75	0.98	0.63	1.65	1.56
1	0.58	0.35	0.95	0.90
2	0.145	0.096	0.26	0.20
2.5	0.096	0.061	0.15	0.15
3	0.065	0.048	0.10	0.10
5	0.025	< 0.02	0.042	0.040
6	< 0.02	< 0.02	0.029	0.028
8	< 0.02	< 0.02	< 0.02	< 0.02
10	< 0.02	< 0.02	< 0.02	< 0.02
12	< 0.02	< 0.02	< 0.02	< 0.02
15	< 0.02	< 0.02	< 0.02	< 0.02
16	< 0.02	< 0.02	< 0.02	< 0.02
20	< 0.02	< 0.02	< 0.02	< 0.02
25	< 0.02	< 0.02	< 0.02	< 0.02
30	< 0.02	< 0.02	< 0.02	< 0.02
40	≤ 0.01	-	≤ 0.01	-
50	≤ 0.01	-	≤ 0.01	-

Corrosion	96 hours at 5 % salt mist to IEC 60068-2-11, test Ka
Humidity	240 hours at 95 % RH to IEC 60068-2-3, test Ca
Mass	approx. 65 g per pole



Technical data

For further details please see chapter: **Technical Information**

Voltage rating	3 AC 415 V; AC 240 V, 50/60 Hz; DC 80 V (higher DC ratings to special order)	
Current ratings	0.02...50 A 1-pole (40 + 50 A DC only) 0.02...30 A multipole	
Auxiliary circuit	6 A, AC 240 V 3 A, DC 28 V 1 A, DC 65 V 0.5 A, DC 80 V	
Typical life	3 AC 415 V, AC 240 V: 0.02...30 A 6,000 operations at 1 x I _N , inductive 10,000 operations at 1 x I _N , resistive DC 80 V: 0.02...25 A 6,000 operations at 1 x I _N , inductive 0.02...30 A 10,000 operations at 1 x I _N , resistive 40 + 50 A 6,000 operations at 1 x I _N , resistive	
Ambient temperature	-40...+85 °C (-40...+185 °F)	
Insulation co-ordination (IEC 60664 and 60664A)	rated impulse withstand voltage 2.5 kV reinforced insulation in operating area	pollution degree 2
Dielectric strength (IEC 60664 and 60664A)	test voltage operating area AC 3,000 V pole to pole (2- and 3-pole) AC 1,500 V main to auxiliary circuit AC 3,000 V switching to trip circuit AC 1,500 V (version -X)	
Insulation resistance	> 100 M Ω (DC 500 V)	
Interrupting capacity I _{cn}	1,200 A at AC - 2,000 A at DC	
Interrupting capacity (UL 1077)	I _N 0.02...20 A 25...30 A AC: 1-pole AC 250 V/3,500A AC 250 V/3,500A 2-pole AC 250 V/3,500A AC 250 V/5,000A 3-pole 3AC 250V/3,500A 3AC250V/5,000A DC: 1-pole 0.02...50 A DC 80 V/3,500 A 2-pole 0.02...30 A DC 80 V/3500 A	
Interrupting capacity (UL 489A)	2000 A	
Degree of protection (IEC 60529/DIN 40050)	operating area IP40 terminal area IP00	
Vibration	with toggle down: 10 g (57-2000Hz) \pm 0.76mm (10-57 Hz) at 0.9 x I _N directions 1, 2, 3, 4, 5: 10 g (57-2000 Hz) at 1 x I _N . with curves F1, F2 in all planes: 10 g (57-2000 Hz) \pm 0.76mm (10-57 Hz) at 0.8 x I _N , to IEC 60068-2-6, test Fc 10 frequency cycles/axis	
Shock	100 g (11 ms) at 1xI _N , directions 1,2,3,4,5 100 g (11 ms) at 0.8 x I _N , direction 6. with curves F1, F2: 100 g (11 ms) at 0.8 x I _N to IEC 60068-2-27, test Ea	

Ordering information

Type No.	8340 magnetic circuit breaker with toggle actuator
Mounting	F flange mounting
Configuration	1 with mounting nuts 6-32 UNC 4 with mounting nuts M3 9 snap-in frame
Number of poles	0 single pole, switch only 1 single pole protected 2 two pole protected 3 three pole protected 4 four pole protected 5 two pole, protected on one pole only 6 four pole, protected on poles 1, 2 and 3 only 7 two pole, switch only
	} magnetic, hydraulic-magnetic
Panel hardware	0 without panel hardware
Terminal design (main contact)	K3 screw terminals with metric thread, M4 (recommended for $I_N \geq 20$ A) K4 screw terminals with metric thread, M5 ($I_N = 40$ A) P1 blade terminals X1 blade terminals with separate switching and relay circuit
Characteristic curves	Characteristic curve F, instantaneous trip: F1 DC trip at $1.01-1.5 \times I_N$ F2 AC 60/50Hz trip at $1.01-1.5 \times I_N$ Characteristic curve K, short delay: K1 DC trip time at $2 \times I_N$: 0.16-1.2 s K2 AC 60/50Hz trip time at $2 \times I_N$: 0.13-1.6 s Characteristic curve M, medium delay: M1 DC trip time at $2 \times I_N$: 0.6-7.5 s M2 AC 60/50Hz trip time at $2 \times I_N$: 2.2-20 s Without characteristic curve: Q0 switch only Characteristic curve T, long delay: T1 DC trip time at $2 \times I_N$: 10-70 s T2 AC 60/50Hz trip time at $2 \times I_N$: 15-150 s Relay trip X: X1 voltage trip at DC, instantaneous trip X2 voltage trip at AC, instantaneous trip Other curves to special order (e.g. pulse delayed, high inrush currents, capacitive loads)
Actuator colour / design	A black, long toggle B white, long toggle C blue, long toggle K black, short toggle L white, short toggle M blue, short toggle
other colours to special order	
Marking on actuator	0 without marking L I-O; ON-OFF N I-O; ON-OFF (I_N on housing top)
Auxiliary contacts	H0 without auxiliary contacts H1 with auxiliary contacts, gold-flushed H2 auxiliary contacts, gold-flushed on one pole only (multipole) H3 auxiliary contacts, gold-flushed on poles 1 and 3 (3 and 4-pole)
Auxiliary contact function	4 1 change over contact
Auxiliary contact terminal design	2 blade terminal 2.8-0.5 mm
Current ratings	0.02...50 A

8340 - F 1 1 0 - P1 M1 - A L H1 4 2 - 30A

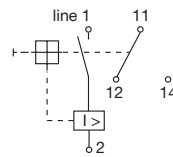
8340 - F 1 1 0 - P1 M1 - A L H1 4 2 - 30A	Voltage rating only curves X1, X2 DC 5, 8, 12, 24 V AC 110, 220, 240 V
	Approval (optional) U UL 489 A
8340 - F 1 1 0 - P1 M1 - A L H1 4 2 - 30A - U	ordering example

Approvals

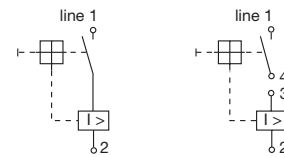
Authority	Voltage ratings	Current ratings
VDE (EN 60934)	3 AC 415 V; AC 240 V; DC 80 V DC 80 V	0.02...30 A 1 to 6-pole 0.02...50 A 1-pole
UL 1077, CSA	DC 80 V 3 AC 250 V; AC 250 V	0.02...50 A 1 to 6-pole 0.02...30 A 1 to 6-pole
UL 489 A	DC 80 V	0.05...30 A 1, 2-pole
QPL (Sweden)	AC 240 V; DC 50 V	1...30 A
CCC	3 AC 415 V; AC 240 V DC 80 V	0.02...30 A 0.02...50 A 1, 2-pole

Internal connection diagrams

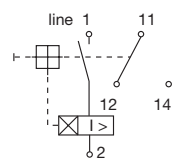
1-pole protected magnetically



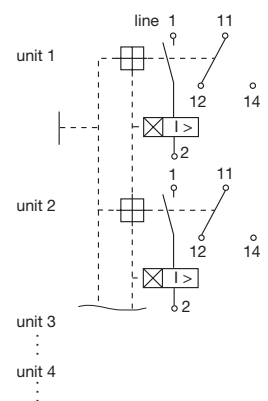
with separate switching and relay circuit



1-pole protected hydraulic-magnetic

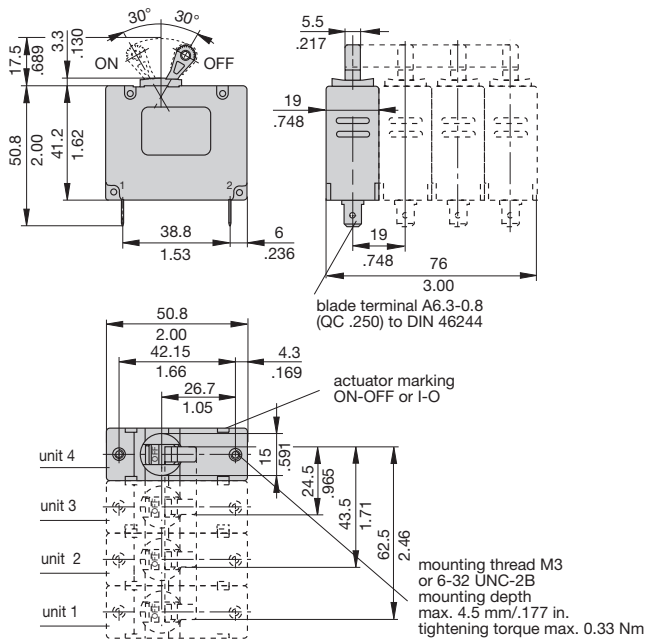


multipole

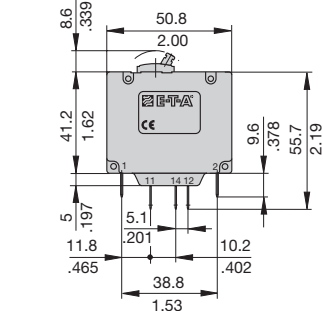


Dimensions

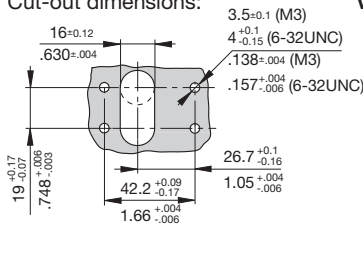
long toggle



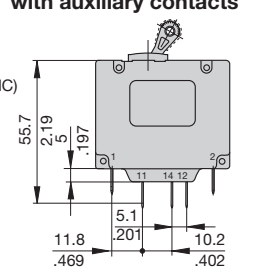
short toggle



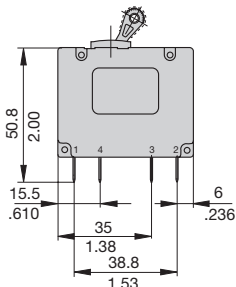
Cut-out dimensions:



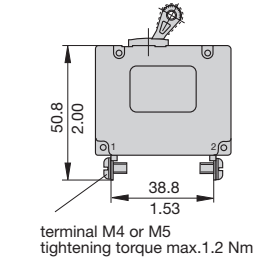
with auxiliary contacts



with separate switching and relay circuit 8340-F...-X...

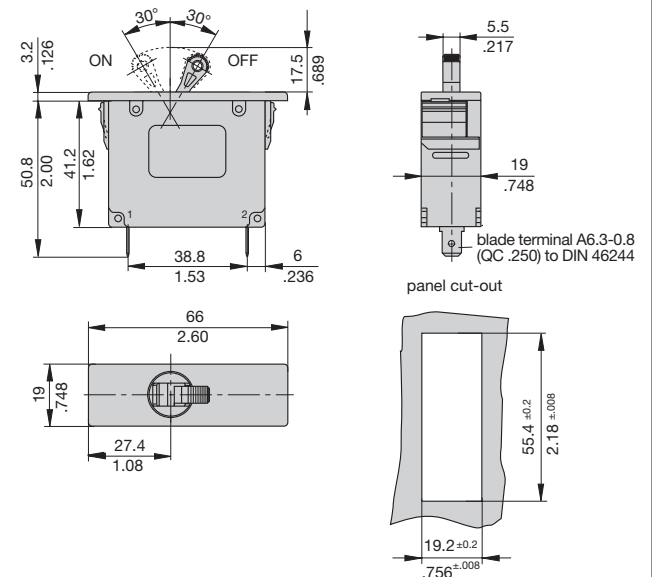


with screw terminals (recommended for I_N ≥ 20)

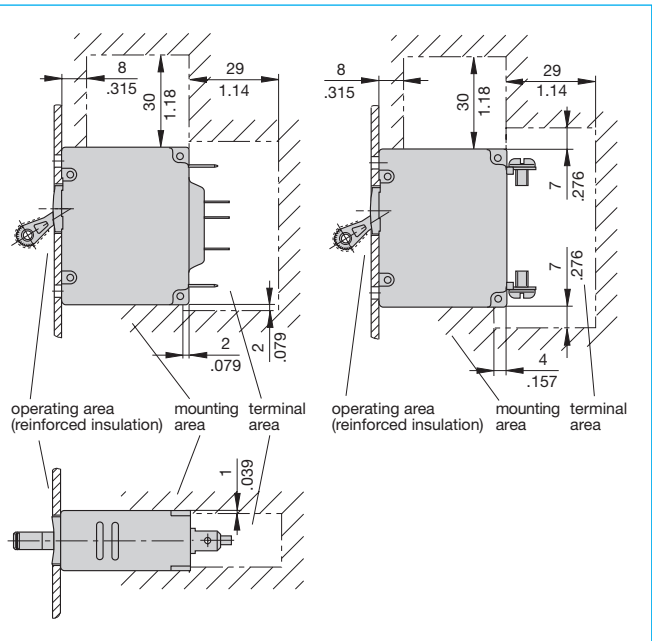


Dimensions

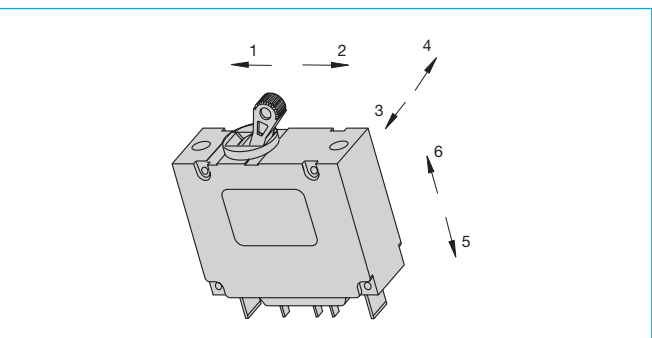
Mounting configuration 8340-F9...



Installation drawing



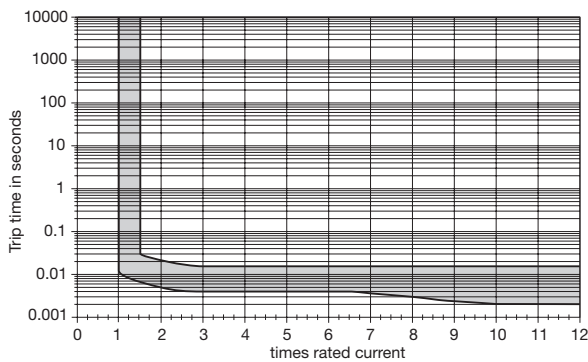
Shock directions / Mounting attitudes



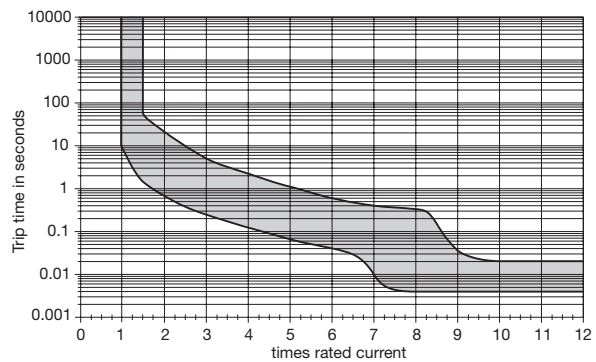
This is a metric design and millimeter dimensions take precedence (mm / inch)

Typical time/current characteristics at 23 °C / +73.4 °F

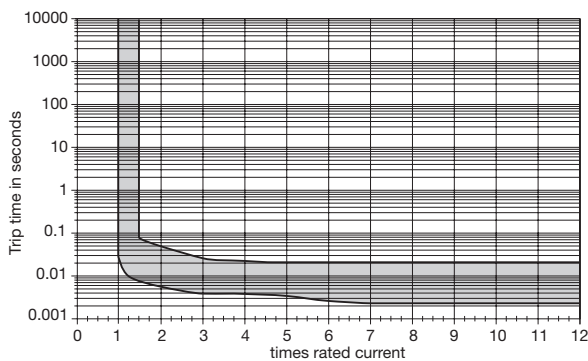
Curve F1 (instantaneous) for DC



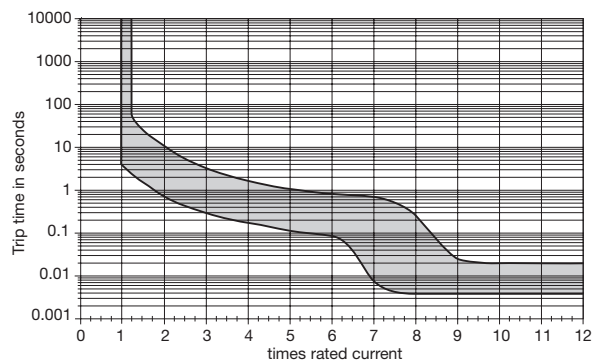
Curve M0 (medium delay) for AC/DC



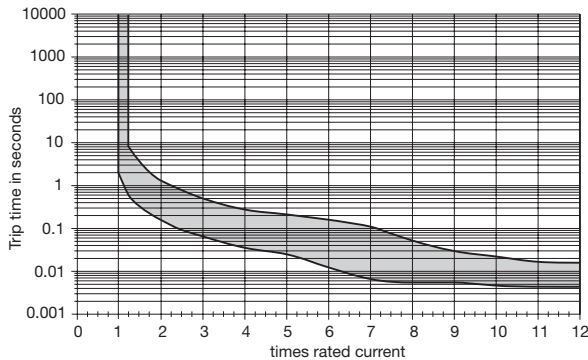
Curve F2 (instantaneous) for AC 50/60 Hz



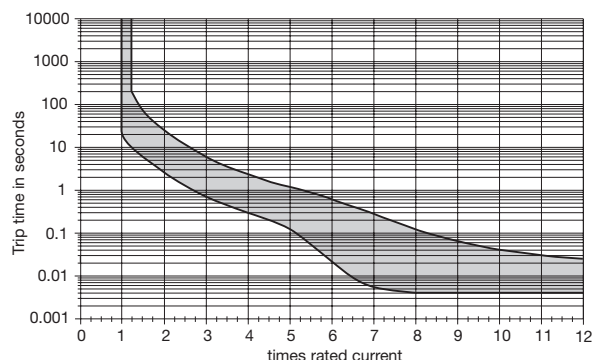
Curve M1 (medium delay) for DC



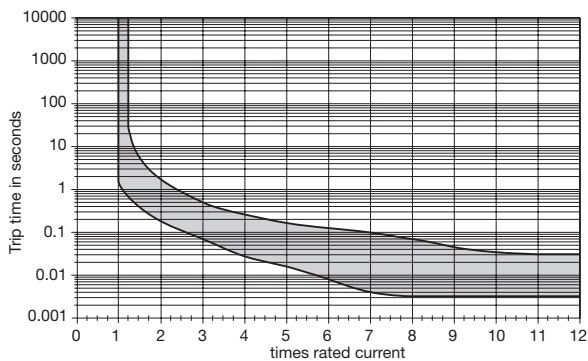
Curve K1 (short delay) for DC



Curve M2 (medium delay) for AC 50/60 Hz



Curve K2 (short delay) for AC 50/60 Hz

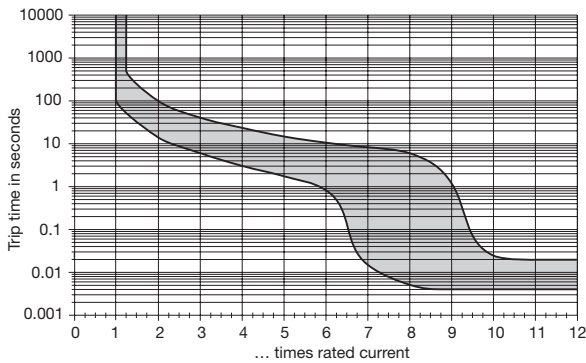


N.B. All curves will only be maintained if the escutcheon is mounted on a vertical surface.
Other characteristic curves to special order (e. g. with impulse delay for inrush peaks).

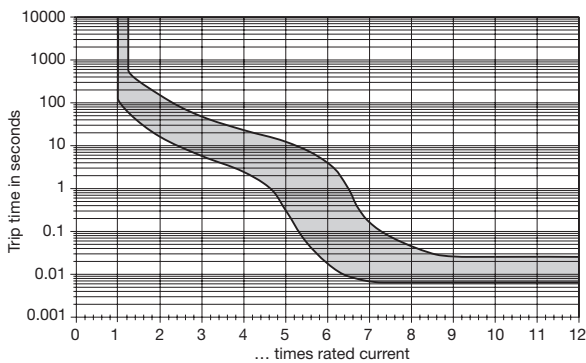
3

Typical time/current characteristics at 23 °C / +73.4 °F

Curve T1 (long delay) for DC



Curve T2 (long delay) for AC 50/60 Hz

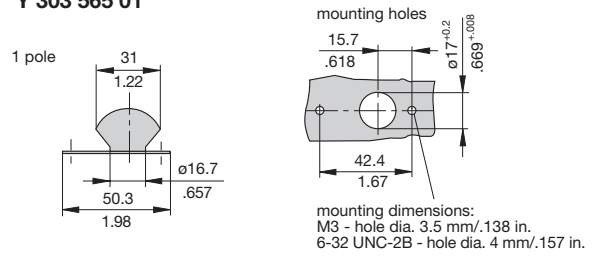


N.B. All curves will only be maintained if the escutcheon is mounted on a vertical surface.

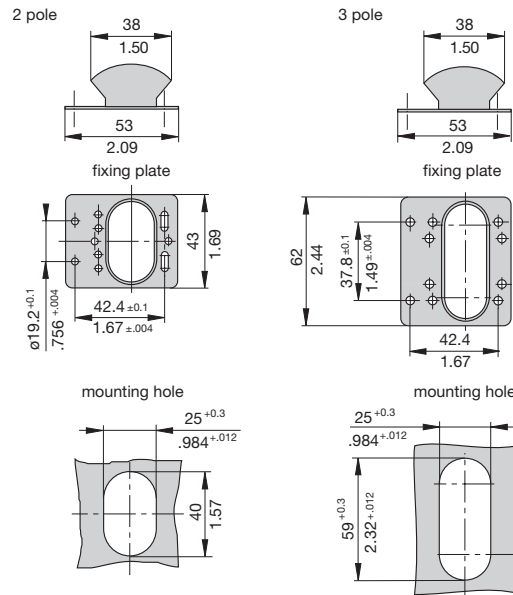
Other characteristic curves to special order (e. g. with impulse delay for inrush peaks).

Accessories

**Splash covers transparent (IP54)
Y 303 565 01**

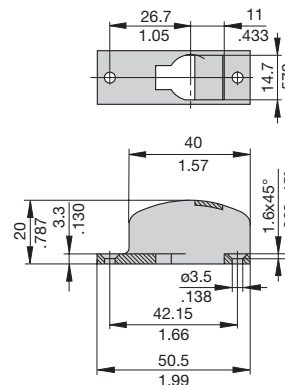


**For 2-pole and 3-pole with fixing plate and screws (IP54)
X 211 118 01 X 211 119 01**



Fixing plate for 2 and 3 pole only.

**Toggle guard
Y 307 250 01**



This is a metric design and millimeter dimensions take precedence ($\frac{\text{mm}}{\text{inch}}$)

All dimensions without tolerances are for reference only. In the interest of improved design, performance and cost effectiveness the right to make changes in these specifications without notice is reserved. Product markings may not be exactly as the ordering codes. Errors and omissions excepted.