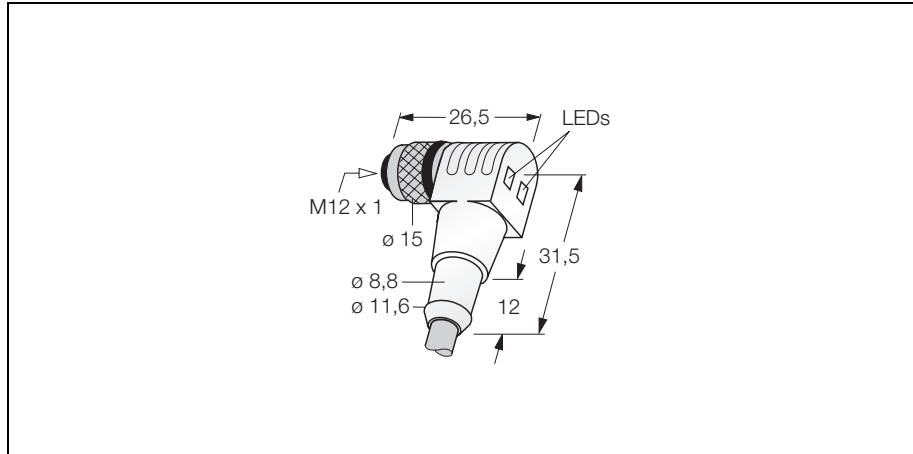
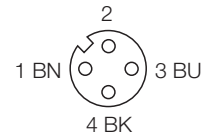


**M12 x 1 round connector
female M12 x 1 connector with LED
WWAK3P2-10/S366**



- **robust and pre-assembled round connector**
- **plastic moulding**
- **degree of protection IP67**
- **also available with other cable lengths and materials**
- **PUR cable for demanding applications**
- **flexible design for trailing applications**
- **PVC and halogen-free**

Wiring diagram



cable quality S366

Flexible PVC and halogen-free control cable with PUR jacket and Polypropylene conductor insulation. The temperature resistance ranges from -40°C up to +90°C. Oil resistance and flame retardance according to VDE 0472 are fulfilled. At a bending radius of 10 x cable diameter the cable can be used in trailing applications. This cable is suited for flexible use in robot technology, tooling machines and in machining applications.

Type	WWAK3P2-10/S366
Ident-No.	8020014
connector	female connector, M12 x 1, angled
Polarity	3-pole
Contact carriers	plastic, TPU, black also with B type coding on request
Contacts	metal, CuZn, gold-plated
Grip	plastic, TPU, transparent
Seal	plastic, FPM/FKM
Coupling nut/screw	metal, CuZn, nickel-plated stainless steel coupling nut/screw available on request
Protection degree	IP67, only with screws tightened
Switch function	pnp
Operating voltage display	LED green
Switch state display	LED yellow
Mechanical lifespan	min. 100 Contact durability
Pollution degree	3/2
Cable	S366, Lif9YH-11YH, halogen-free
Cable diameter	Ø 4.5 mm
Cable length	10 m
Cable jacket	PUR, grey
Core insulation material	PP
Core insulation colours	BN, BU, BK
Core cross-section	3 x 0.34 mm ²
Litz wire design	34 x 0.1 mm
Bending radius (moving state)	minimum 10 x Cable diameter
Rated voltage	10 ... 30
Insulation resistance	≥ 10 ⁹ Ω
Current carrying capacity	4 A
Forward resistance	≤ 5 mΩ
Ambient temperature connector	-30 ... + 90 °C
Cable ambient temperature	-40 ... + 90 °C

