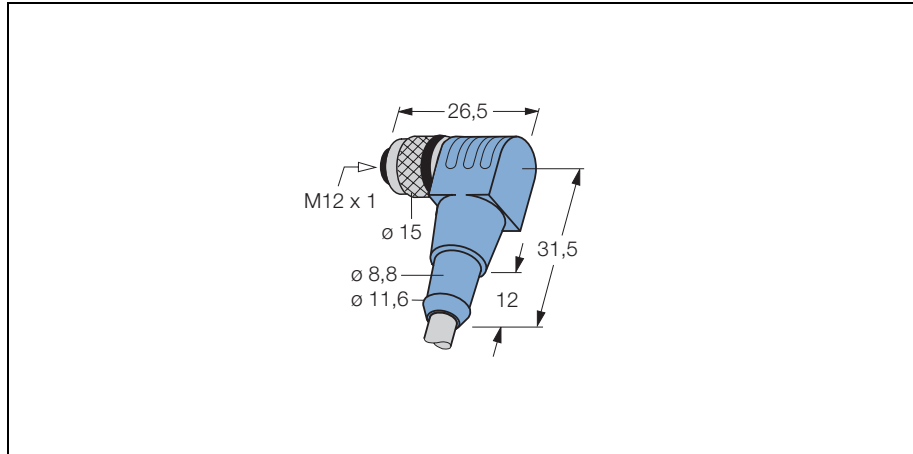
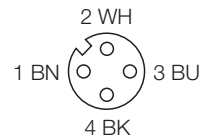


**M12 x 1 round connector  
female connector M12 x 1  
WWAK4-5/S366**



- **robust and pre-assembled round connector**
- **plastic moulding**
- **degree of protection IP67**
- **also available with other cable lengths and materials**
- **PUR cable for demanding applications**
- **suited for flexible use in trailing applications**
- **PVC and halogen-free**

**Wiring diagram**



**cable quality S366**

Flexible PVC and halogen-free control cable with PUR jacket and Polypropylene conductor insulation. The temperature resistance ranges from -40°C up to +90°C. Oil resistance and flame retardance according to VDE 0472 are fulfilled. At a bending radius of 10 x cable diameter the cable can be used in trailing applications. This cable is suited for flexible use in robot technology, tooling machines and in machining applications.

<b>Type</b>	WWAK4-5/S366
Ident-No.	8020002
<b>connector</b>	female connector, M12 x 1, angled
Polarity	4-pole
Contact carriers	plastic, TPU, black also with B type coding on request
Contacts	metal, CuZn, gold-plated
Grip	plastic, TPU, blue
Seal	plastic, FPM/FKM
Coupling nut/screw	metal, CuZn, nickel-plated stainless steel coupling nut/screw available on request
Protection degree	IP67, only with screws tightened
Mechanical lifespan	min. 100 Contact durability
Pollution degree	3/2
<b>Cable</b>	S366, Lif9YH-11YH, halogen-free
Cable diameter	Ø 4.7 mm
Cable length	5 m
Cable jacket	PUR, grey
Core insulation material	PP
Core insulation colours	BN, WH, BU, BK
Core cross-section	4 x 0.34 mm <sup>2</sup>
Litz wire design	19 x 0.15 mm
Bending radius (moving state)	minimum 10 x Cable diameter
<b>Rated voltage</b>	max. 250 V
Insulation resistance	≥ 10 <sup>9</sup> Ω
Current carrying capacity	4 A
Forward resistance	≤ 5 mΩ
Ambient temperature connector	-30 ... + 90 °C
Cable ambient temperature	-40 ... + 90 °C