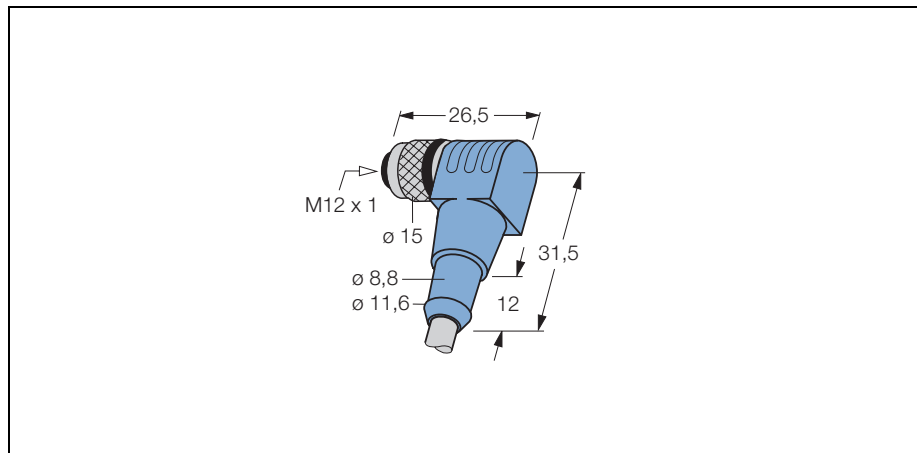
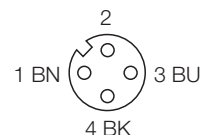


M12 x 1 round connector female connector M12 x 1 WWAK3-10/S366



- robust and pre-assembled round connector
- plastic moulding
- degree of protection IP67
- also available with other cable lengths and materials
- PUR cable for demanding applications
- flexible design for trailing applications
- PVC and halogen-free

Wiring diagram



cable quality S366

Flexible PVC and halogen-free control cable with PUR jacket and Polypropylene conductor insulation. The temperature resistance ranges from -40°C up to +90°C. Oil resistance and flame retardance according to VDE 0472 are fulfilled. At a bending radius of 10 x cable diameter the cable can be used in trailing applications. This cable is suited for flexible use in robot technology, tooling machines and in machining applications.

| | |
|-------------------------------|---|
| Type | WWAK3-10/S366 |
| Ident-No. | 8020000 |
| connector | female connector, M12 x 1, angled |
| Polarity | 3-pole |
| Contact carriers | plastic, TPU, black also with B type coding on request |
| Contacts | metal, CuZn, gold-plated |
| Grip | plastic, TPU, blue |
| Seal | plastic, FPM/FKM |
| Coupling nut/screw | metal, CuZn, nickel-plated stainless steel coupling nut/screw available on request |
| Protection degree | IP67, only with screws tightened |
| Mechanical lifespan | min. 100 Contact durability |
| Pollution degree | 3/2 |
| Cable | S366, Lif9YH-11YH, halogen-free |
| Cable diameter | Ø 4.5 mm |
| Cable length | 10 m |
| Cable jacket | PUR, grey |
| Core insulation material | PP |
| Core insulation colours | BN, BU, BK |
| Core cross-section | 3 x 0.34 mm ² |
| Litz wire design | 34 x 0.1 mm |
| Bending radius (moving state) | minimum 10 x Cable diameter |
| Rated voltage | max. 250 V |
| Insulation resistance | ≥ 10 ⁹ Ω |
| Current carrying capacity | 4 A |
| Forward resistance | ≤ 5 mΩ |
| Ambient temperature connector | -30 ... + 90 °C |
| Cable ambient temperature | -40 ... + 90 °C |