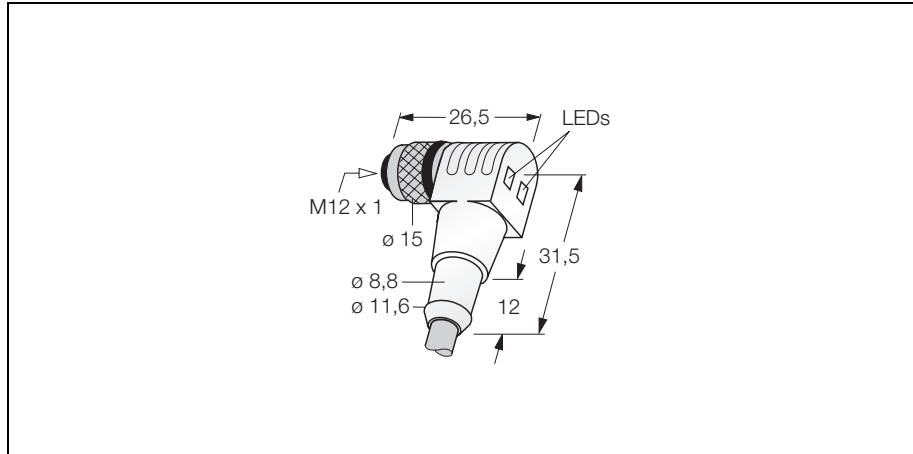
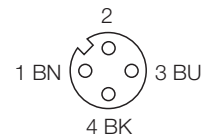


**M12 x 1 round connector
female M12 x 1 connector with LED
WWAK3P2-10/S398**



- **robust and pre-assembled round connector**
- **plastic moulding**
- **degree of protection IP67**
- **also available with other cable lengths and materials**
- **PUR cable for highest demands and high-flex applications**
- **irradiated**
- **PVC and halogen-free**
- **weld-splatter resistant**

Wiring diagram



cable quality S398

Due to irradiation the PUR typical features of the PUR cable jacket are improved significantly. The mechanical stability and the abrasion resistance are increased; weld splatter resistance is also achieved. It is suited for use in the field of robot technology, particularly welding robots, tooling machinery, assembly and production lines and in machining applications. This bending and torsion resistant cable can be used at continuous temperatures of up to + 105°C.

Type	WWAK3P2-10/S398
Ident-No.	8010227
connector	female connector, M12 x 1, angled
Polarity	3-pole
Contact carriers	plastic, TPU, black also with B type coding on request
Contacts	metal, CuZn, gold-plated
Grip	plastic, TPU, transparent
Seal	plastic, FPM/FKM
Coupling nut/screw	metal, CuZn, nickel-plated stainless steel coupling nut/screw available on request
Protection degree	IP67, only with screws tightened
Switch function	pnp
Operating voltage display	LED green
Switch state display	LED yellow
Mechanical lifespan	min. 100 Contact durability
Pollution degree	3/2
Cable	S398, D12YSL11X-JB, irradiated
Cable diameter	Ø 4.4 mm
Cable length	10 m
Cable jacket	PUR, orange
Core insulation material	PE
Core insulation colours	BN, BU, BK
Core cross-section	3 x 0.34 mm ²
Litz wire design	34 x 0.1 mm
Bending radius (moving state)	minimum 12 x Cable diameter
Rated voltage	10 ... 30
Insulation resistance	≥ 10 ⁹ Ω
Current carrying capacity	4 A
Forward resistance	≤ 5 mΩ
Ambient temperature connector	-30 ... + 90 °C
Cable ambient temperature	-50 ... + 105 °C

