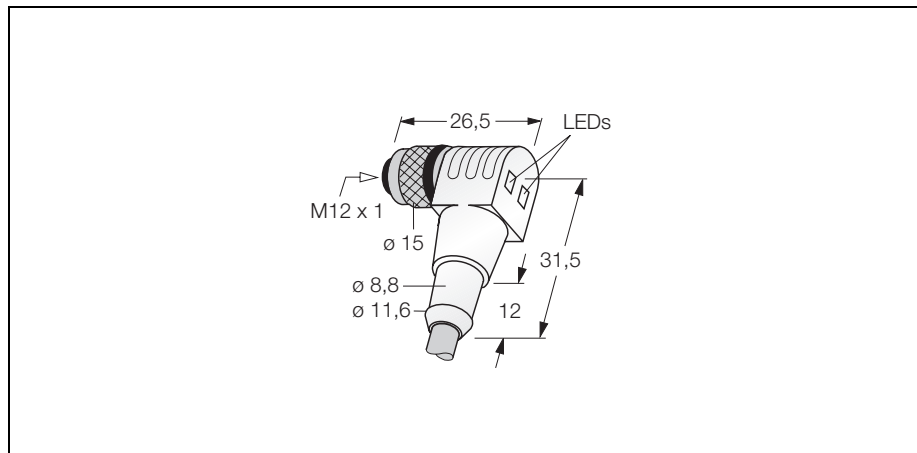
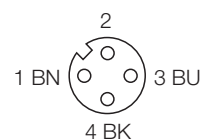


**M12 x 1 round connector
female M12 x 1 connector with LED
WWAK3P2-2/XOR**



- robust and pre-assembled round connector
- plastic moulding
- degree of protection IP67
- also available with other cable lengths and materials
- PVC cable
- irradiated
- weld-splatter resistant

Wiring diagram



Type	WWAK3P2-2/XOR
Ident-No.	8010215
connector	female connector, M12 x 1, angled
Polarity	3-pole
Contact carriers	plastic, TPU, black also with B type coding on request
Contacts	metal, CuZn, gold-plated
Grip	plastic, TPU, transparent
Seal	plastic, FPM/FKM
Coupling nut/screw	metal, CuZn, nickel-plated stainless steel coupling nut/screw available on request
Protection degree	IP67, only with screws tightened
Switch function	pnp
Operating voltage display	LED green
Switch state display	LED yellow
Mechanical lifespan	min. 100 Contact durability
Pollution degree	3/2
Cable	XOR, LifXX, irradiated
Cable diameter	Ø 5.2 mm
Cable length	2 m
Cable jacket	PVC, orange
Core insulation material	PVC
Core insulation colours	BN, BU, BK
Core cross-section	3 x 0.34 mm ²
Litz wire design	43 x 0.1 mm
Bending radius (moving state)	minimum 10 x Cable diameter
Rated voltage	10 ... 30
Insulation resistance	≥ 10 ⁹ Ω
Current carrying capacity	4 A
Forward resistance	≤ 5 mΩ
Ambient temperature connector	-30 ... + 90 °C
Cable ambient temperature	-40 ... + 80 °C +250 °C short-term

cable quality XOR

Due to its irradiated cable jacket, this pure PVC cable features increased thermostability at higher temperatures and improved resistance to chemicals and abrasion compared to a standard PVC cable. It is designated for use in welding facilities.

