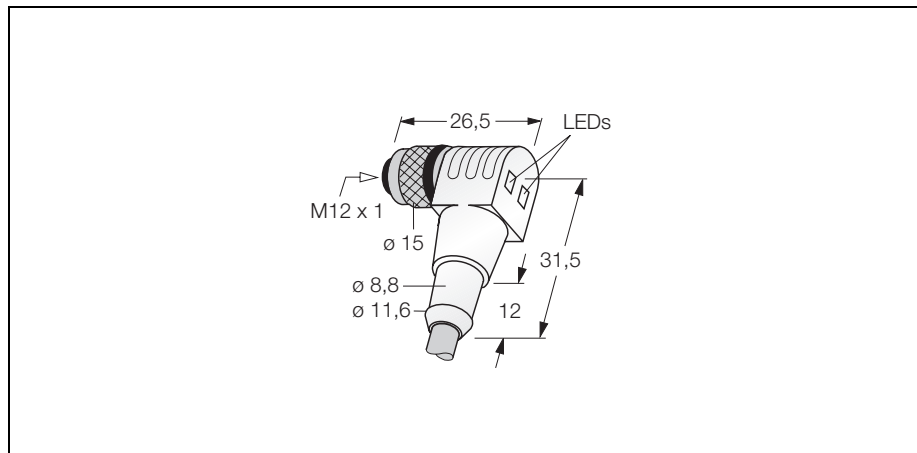
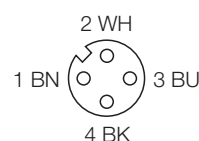


**M12 x 1 round connector
female M12 x 1 connector with LED
WWAK4P2-10/P00**



- **robust and pre-assembled round connector**
- **plastic moulding**
- **degree of protection IP67**
- **also available with other cable lengths and materials**
- **PVC cable**
- **suited to average mechanical stress**

Wiring diagram



Type	WWAK4P2-10/P00
Ident-No.	8009250
connector	female connector, M12 x 1, angled
Polarity	4-pole
Contact carriers	plastic, TPU, black also with B type coding on request
Contacts	metal, CuZn, gold-plated
Grip	plastic, TPU, transparent
Seal	plastic, FPM/FKM
Coupling nut/screw	metal, CuZn, nickel-plated stainless steel coupling nut/screw available on request
Protection degree	IP67, only with screws tightened
Switch function	pnp
Operating voltage display	LED green
Switch state display	LED yellow
Mechanical lifespan	min. 100 Contact durability
Pollution degree	3/2
Cable	P00, LifYY
Cable diameter	Ø 5.2 mm
Cable length	10 m
Cable jacket	PVC, grey
Core insulation material	PVC
Core insulation colours	BN, WH, BU, BK
Core cross-section	4 x 0.34 mm ²
Litz wire design	43 x 0.1 mm
Bending radius (moving state)	minimum 10 x Cable diameter
Rated voltage	10 ... 30
Insulation resistance	≥ 10 ⁹ Ω
Current carrying capacity	4 A
Forward resistance	≤ 5 mΩ
Ambient temperature connector	-30 ... + 90 °C
Cable ambient temperature	-40 ... + 80 °C

cable quality P00

Pure PVC cable, resistant to average mechanical strain, for use in packaging machinery as well as assembly and production lines. Good resistance against acids and alkalis and thus suited for use in the food and beverage industry. Limited resistance to abrasion, conditional resistance to oils and chemicals.

