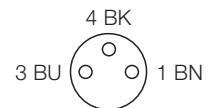


**M8 x 1 / Ø 8mm round connector**  
**female M8 x 1 connector**  
**SWKP3-10/S90**

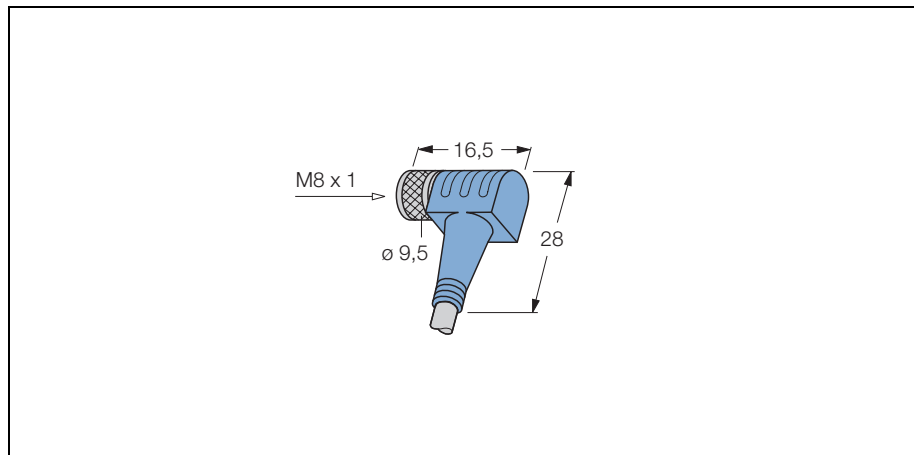
- **robust and pre-assembled round connector**
- **plastic moulding**
- **degree of protection IP67**
- **also available with other cable lengths and materials**
- **compact version for space limited industrial applications**
- **PUR cable**
- **with trailing capability**

**Wiring diagram**



**cable quality S90**

All-round cable with PUR cable jacket and PVC conductor insulation suited for use in tooling machinery, assembly and production lines and machining applications. The cable features good resistance against oils and chemicals and is highly abrasion-resistant. It is suited for trailing applications.



<b>Type</b>	SWKP3-10/S90
Ident-No.	8007376
<b>connector</b>	female connector, M8 x 1, angled
Polarity	3-pole
Contact carriers	plastic, TPU, black
Contacts	metal, CuZn, gold-plated
Grip	plastic, TPU, blue
Seal	plastic, FPM/FKM
Coupling nut/screw	metal, CuZn, nickel-plated stainless steel coupling nut/screw available on request
Protection degree	IP67, only with screws tightened
Mechanical lifespan	min. 100 Contact durability
Pollution degree	3/2
<b>Cable</b>	S90, LifYY11Y
Cable diameter	Ø 4.4 mm
Cable length	10 m
Cable jacket	PUR/PVC, grey
Core insulation material	PVC
Core insulation colours	BN, BU, BK
Core cross-section	3 x 0.25 mm <sup>2</sup>
Litz wire design	32 x 0.1 mm
Bending radius (moving state)	minimum 10 x Cable diameter
<b>Rated voltage</b>	max. 60 V
Insulation resistance	≥ 10 <sup>9</sup> Ω
Current carrying capacity	4 A
Forward resistance	≤ 5 mΩ
Cable ambient temperature	-40 ... + 80 °C