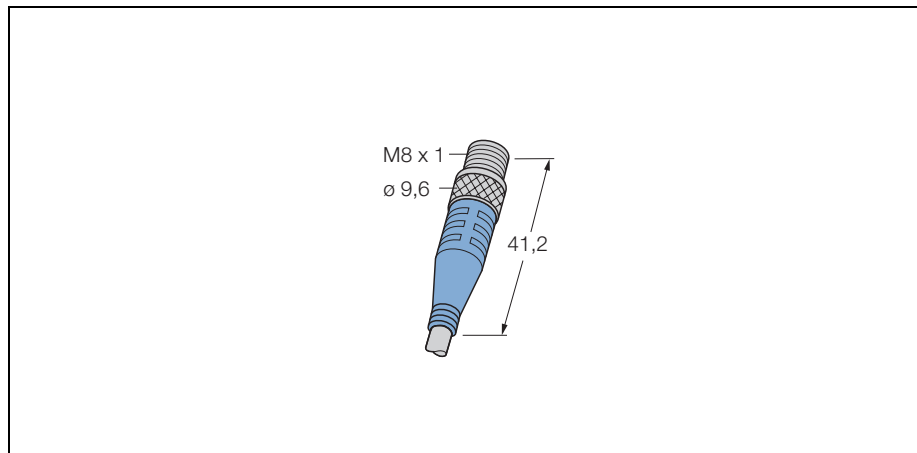


**M8 x 1 / Ø 8mm round connector
connector M8 x 1
SSP4-10/S90**



- **robust and pre-assembled round connector**
- **plastic moulding**
- **degree of protection IP67**
- **also available with other cable lengths and materials**
- **compact version for space limited industrial applications**
- **PUR cable**
- **with trailing capability**

Wiring diagram



Type	SSP4-10/S90
Ident-No.	8007366
connector	Connector, M8 x 1, straight
Polarity	4-pole
Contact carriers	plastic, TPU, black
Contacts	metal, CuZn, gold-plated
Grip	plastic, TPU, blue
Coupling nut/screw	metal, CuZn, nickel-plated
Protection degree	IP67, only with screws tightened
Mechanical lifespan	min. 100 Contact durability
Pollution degree	3/2
Cable	S90, LiYY11Y
Cable diameter	Ø 4.4 mm
Cable length	10 m
Cable jacket	PUR/PVC, grey
Core insulation material	PVC
Core insulation colours	BN, WH, BU, BK
Core cross-section	4 x 0.25 mm ²
Litz wire design	32 x 0.1 mm
Bending radius (moving state)	minimum 10 x Cable diameter
Rated voltage	max. 30 V
Insulation resistance	≥ 10 ⁹ Ω
Current carrying capacity	4 A
Forward resistance	≤ 5 mΩ
Cable ambient temperature	-40 ... + 80 °C

cable quality S90

All-round cable with PUR cable jacket and PVC conductor insulation suited for use in tooling machinery, assembly and production lines and machining applications. The cable features good resistance against oils and chemicals and is highly abrasion-resistant. It is suited for trailing applications.