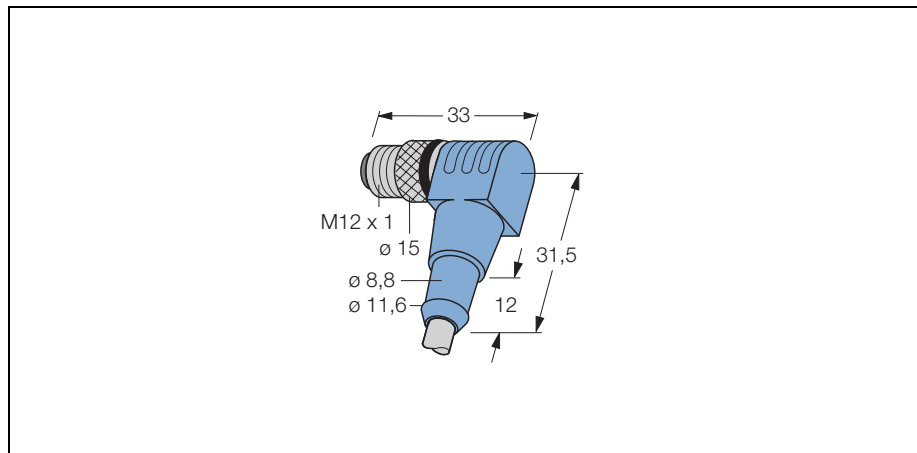
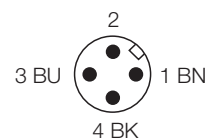


# M12 x 1 round connector connector M12 x 1 WWAS3-2/S74



- robust and pre-assembled round connector
- plastic moulding
- degree of protection IP67
- also available with other cable lengths and materials
- top-quality PUR cable for highest demands and high-flex applications
- PVC and halogen-free, trailing cable
- resistance to both bending and torsional stress

### Wiring diagram



### cable quality S74

Specially developed, high-flex control cable suited for use on industrial robots, rotation and tilting tables; it may also be used as a machine control cable for extreme environmental conditions. These cables are used in those applications where bending and torsional stress occur simultaneously and long-life characteristics are indispensable. The PUR cable jacket provides excellent resistance to oils, lubricants, cooling agents and other aggressive media. The cable resists continuous temperatures of up to +105 °C.

<b>Type</b>	WWAS3-2/S74
Ident-No.	8007188
<b>connector</b>	Connector, M12 x 1, angled
Polarity	3-pole
Contact carriers	plastic, TPU, black also with B type coding on request
Contacts	metal, CuZn, gold-plated
Grip	plastic, TPU
Coupling nut/screw	metal, CuZn, nickel-plated stainless steel coupling nut/screw available on request
Protection degree	IP67, only when plugged in
Mechanical lifespan	min. 100 Contact durability
Pollution degree	3/2
<b>Cable</b>	S74, D12YSL11Y-OB, halogen-free, highly flexible
Cable diameter	Ø 4.6 mm
Cable length	2 m
Cable jacket	PUR, orange
Core insulation material	TPE
Core insulation colours	BN, BU, BK
Core cross-section	3 x 0.34 mm <sup>2</sup>
Litz wire design	43 x 0.1 mm
Bending radius (moving state)	minimum 10 x Cable diameter
<b>Rated voltage</b>	max. 250 V
Insulation resistance	≥ 10 <sup>9</sup> Ω
Current carrying capacity	4 A
Forward resistance	≤ 5 mΩ
Ambient temperature connector	-30 ... + 90 °C
Cable ambient temperature	-50 ... + 105 °C