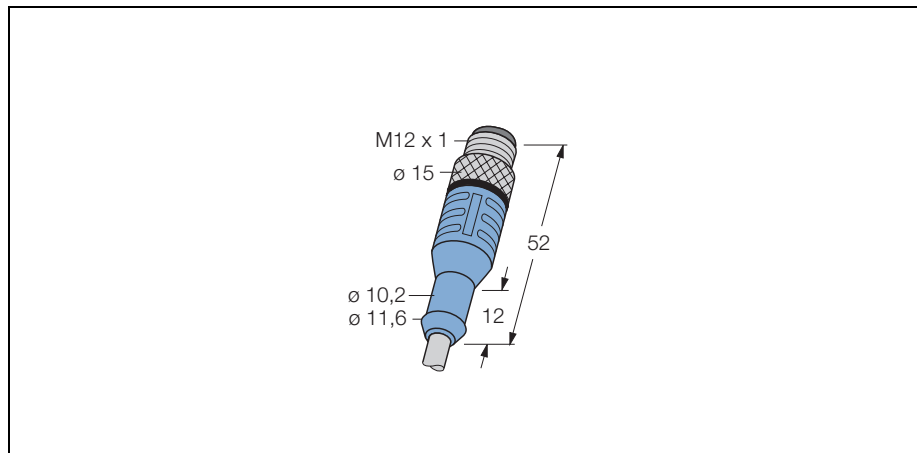
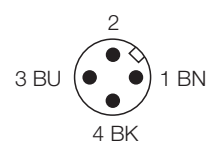


M12 x 1 round connector connector M12 x 1 WAS3-10/XOR



- robust and pre-assembled round connector
- plastic moulding
- degree of protection IP67
- also available with other cable lengths and materials
- PVC cable
- irradiated
- weld-splatter resistant

Wiring diagram



Type	WAS3-10/XOR
Ident-No.	8007094
connector	Connector, M12 x 1, straight
Polarity	3-pole
Contact carriers	plastic, TPU, black also with B type coding on request
Contacts	metal, CuZn, gold-plated
Grip	plastic, TPU, blue
Coupling nut/screw	metal, CuZn, nickel-plated stainless steel coupling nut/screw available on request
Protection degree	IP67, only when plugged in
Mechanical lifespan	min. 100 Contact durability
Pollution degree	3/2
Cable	XOR, LifXX, irradiated
Cable diameter	Ø 5.2 mm
Cable length	10 m
Cable jacket	PVC, orange
Core insulation material	PVC
Core insulation colours	BN, BU, BK
Core cross-section	3 x 0.34 mm ²
Litz wire design	43 x 0.1 mm
Bending radius (moving state)	minimum 10 x Cable diameter
Rated voltage	max. 250 V
Insulation resistance	≥ 10 ⁹ Ω
Current carrying capacity	4 A
Forward resistance	≤ 5 mΩ
Ambient temperature connector	-30 ... + 90 °C
Cable ambient temperature	-40 ... + 80 °C +250 °C short-term

cable quality XOR

Due to its irradiated cable jacket, this pure PVC cable features increased thermostability at higher temperatures and improved resistance to chemicals and abrasion compared to a standard PVC cable. It is designated for use in welding facilities.