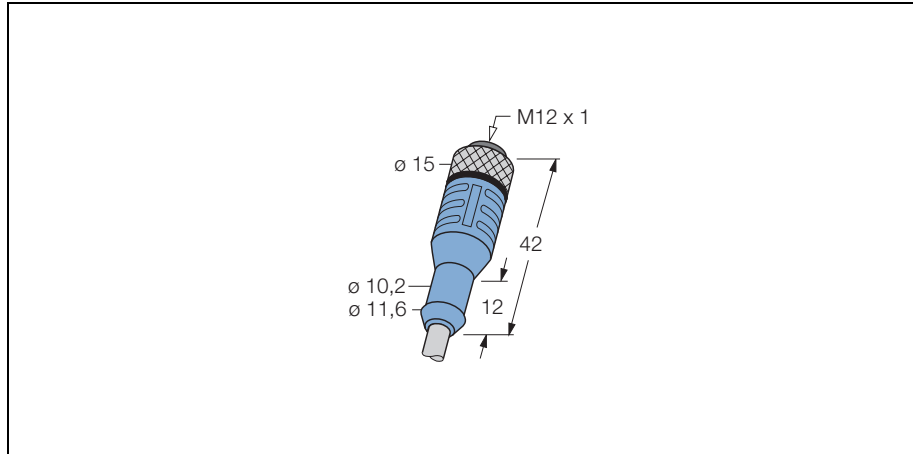
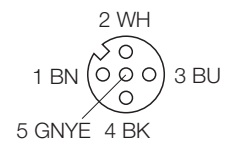


**M12 x 1 round connector
female connector M12 x 1
WAK5-5/P00**



- **robust and pre-assembled round connector**
- **plastic moulding**
- **degree of protection IP67**
- **also available with other cable lengths and materials**
- **PVC cable**
- **suited to average mechanical stress**

Wiring diagram



cable quality P00

Pure PVC cable, resistant to average mechanical strain, for use in packaging machinery as well as assembly and production lines. Good resistance against acids and alkalis and thus suited for use in the food and beverage industry. Limited resistance to abrasion, conditional resistance to oils and chemicals.

| | |
|-------------------------------|---|
| Type | WAK5-5/P00 |
| Ident-No. | 8007072 |
| connector | female connector, M12 x 1, straight |
| Polarity | 4-pole + PE |
| Contact carriers | plastic, TPU, black also with B type coding on request |
| Contacts | metal, CuZn, gold-plated |
| Grip | plastic, TPU, blue |
| Seal | plastic, FPM/FKM |
| Coupling nut/screw | metal, CuZn, nickel-plated stainless steel coupling nut/screw available on request |
| Protection degree | IP67, only with screws tightened |
| Mechanical lifespan | min. 100 Contact durability |
| Pollution degree | 3/2 |
| Cable | P00, LifYY |
| Cable diameter | Ø 5.5 mm |
| Cable length | 5 m |
| Cable jacket | PVC, grey |
| Core insulation material | PVC |
| Core insulation colours | BN, WH, BU, BK, GNYE |
| Core cross-section | 4 x 0.34 mm ² |
| Core cross-section PE | 1 x 0.5 mm ² |
| Litz wire design | 19 x 0.15 mm |
| Litz wire design PE | 16 x 0.2 mm |
| Bending radius (moving state) | minimum 10 x Cable diameter |
| Rated voltage | max. 60 V |
| Insulation resistance | ≥ 10 ⁹ Ω |
| Current carrying capacity | 4 A |
| Forward resistance | ≤ 5 mΩ |
| Ambient temperature connector | -30 ... + 90 °C |
| Cable ambient temperature | -40 ... + 80 °C |