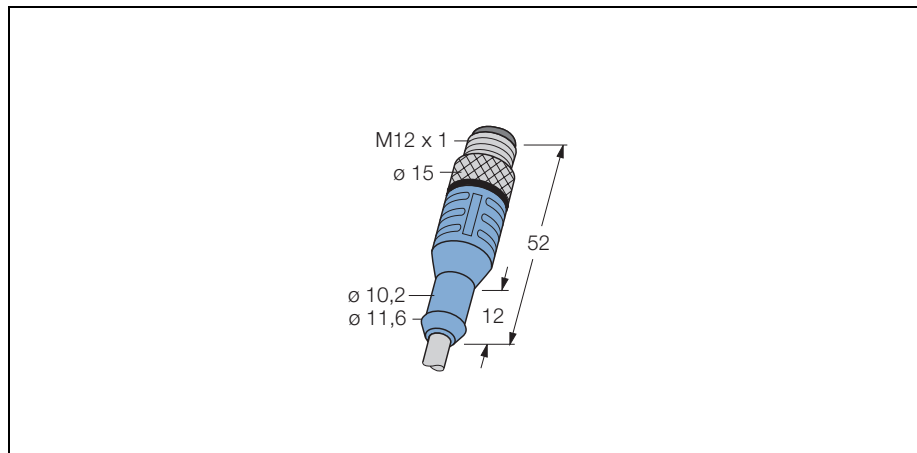
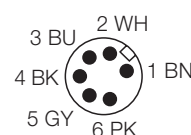


**M12 x 1 round connector
connector M12 x 1
WAS6-10/S90**



- **robust and pre-assembled round connector**
- **plastic moulding**
- **degree of protection IP67**
- **also available with other cable lengths and materials**
- **PUR cable**
- **with trailing capability**

Wiring diagram



cable quality S90

All-round cable with PUR cable jacket and PVC conductor insulation suited for use in tooling machinery, assembly and production lines and machining applications. The cable features good resistance against oils and chemicals and is highly abrasion-resistant. It is suited for trailing applications.

| | |
|-------------------------------|---|
| Type | WAS6-10/S90 |
| Ident-No. | 8007012 |
| connector | Connector, M12 x 1, straight |
| Polarity | 6-pole |
| Contact carriers | plastic, TPU, black |
| Contacts | metal, CuZn, gold-plated |
| Grip | plastic, TPU, blue |
| Coupling nut/screw | metal, CuZn, nickel-plated stainless steel coupling nut/screw available on request |
| Protection degree | IP67, only when plugged in |
| Mechanical lifespan | min. 100 Contact durability |
| Pollution degree | 3/2 |
| Cable | S90, LifYY11Y |
| Cable diameter | Ø 5.8 mm |
| Cable length | 10 m |
| Cable jacket | PUR/PVC, grey |
| Core insulation material | PVC |
| Core insulation colours | BN, WH, BU, BK, GN, PK |
| Core cross-section | 6 x 0.25 mm ² |
| Litz wire design | 128 x 0.05 mm |
| Bending radius (moving state) | minimum 10 x Cable diameter |
| Rated voltage | max. 30 V |
| Insulation resistance | ≥ 10 ⁹ Ω |
| Forward resistance | ≤ 5 mΩ |
| Ambient temperature connector | -30 ... + 90 °C |
| Cable ambient temperature | -40 ... + 80 °C |