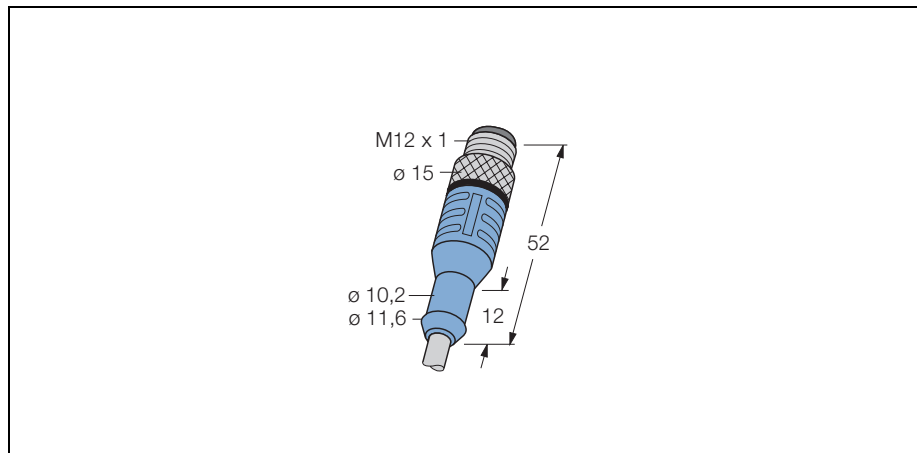
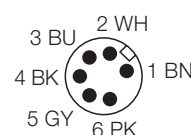


M12 x 1 round connector connector M12 x 1 WAS6-5/S90



- robust and pre-assembled round connector
- plastic moulding
- degree of protection IP67
- also available with other cable lengths and materials
- PUR cable
- with trailing capability

Wiring diagram



Type	WAS6-5/S90
Ident-No.	8007010
connector	Connector, M12 x 1, straight
Polarity	6-pole
Contact carriers	plastic, TPU, black
Contacts	metal, CuZn, gold-plated
Grip	plastic, TPU, blue
Coupling nut/screw	metal, CuZn, nickel-plated stainless steel coupling nut/screw available on request
Protection degree	IP67, only when plugged in
Mechanical lifespan	min. 100 Contact durability
Pollution degree	3/2
Cable	S90, LifYY11Y
Cable diameter	Ø 5.8 mm
Cable length	5 m
Cable jacket	PUR/PVC, grey
Core insulation material	PVC
Core insulation colours	BN, WH, BU, BK, GN, PK
Core cross-section	6 x 0.25 mm ²
Litz wire design	128 x 0.05 mm
Bending radius (moving state)	minimum 10 x Cable diameter
Rated voltage	max. 30 V
Insulation resistance	≥ 10 ⁹ Ω
Forward resistance	≤ 5 mΩ
Ambient temperature connector	-30 ... + 90 °C
Cable ambient temperature	-40 ... + 80 °C

cable quality S90

All-round cable with PUR cable jacket and PVC conductor insulation suited for use in tooling machinery, assembly and production lines and machining applications. The cable features good resistance against oils and chemicals and is highly abrasion-resistant. It is suited for trailing applications.