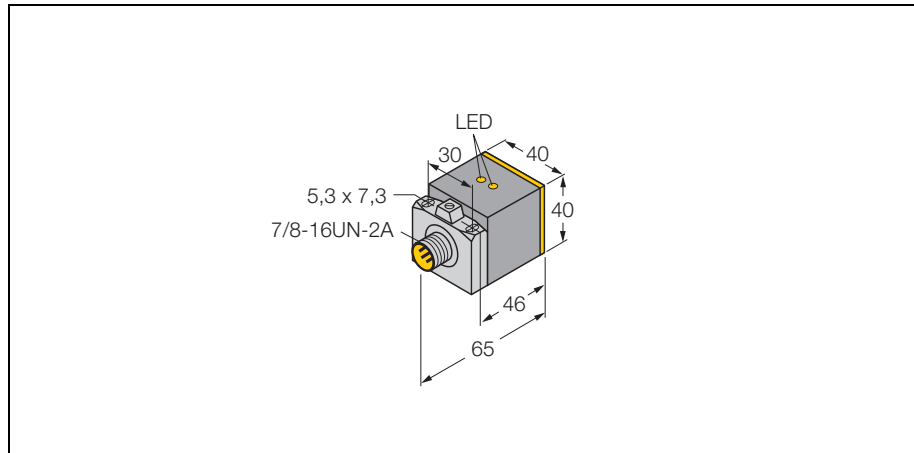


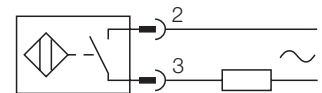
Bi15U-CK40-ADZ30X2-B1131



- rectangular, height 40 mm
- 5 selectable sensor head positions
- plastic, PBT-GF30-V0
- factor 1 for all metals
- degree of protection IP68
- magnetic field immune
- extended temperature range
- high switching frequency
- 2-wire AC, 20...250 VAC
- 2-wire DC, 10...0.300 VDC
- normally open
- connector, 7/8"

Type	Bi15U-CK40-ADZ30X2-B1131
Ident-No.	4280010
Rated operating distance Sn	15 mm
Mounting condition	flush
Assured switching distance	≤ (0,81 x Sn) mm
Repetition accuracy	≤ 2 %
Temperature drift	≤ ± 10 %
Hysteresis	≤ ± 15 %, ≤ -25 °C v ≥ +70 °C
ambient temperature	-30 ... + 85 °C
Operating voltage	20... 250 VAC
Operating voltage	10... 300 V DC
AC rated operational current	≤ 400 mA
DC rated operational current	≤ 300 mA
Mains frequency	50 ... 60 Hz
Residual current	≤ 1.7 mA
Rated insulation voltage	≤ 1.5 kV
Surge current	≤ 3 A (≤ 20 ms max. 5 Hz)
Short-circuit protection	yes / latching
Voltage dip at I _e	≤ 6 V
Wire breakage / reverse polarity protection	yes / complete
Output function	2-wire, normally open
Smallest operating current I _m	≥ 3 mA
Insulation class	□
Switching frequency	≤ 0.06 kHz
Housing style	rectangular; CK40
Dimensions	65 x 40 x 40 mm
Housing material	plastic, PBT-GF30-V0
Material active area	plastic, PA6-GF30-X
Connection	connector, 7/8"
Vibration resistance	55 Hz (1 mm)
Shock resistance	30g (11 ms)
Protection degree	IP68
Operating voltage display	LED green
Switch state display	LED yellow
Included in scope of supply	BS1-CK40

Wiring diagram



Function principle

Inductive sensors are designed for wear-free and non-contact detection of metal objects. Due to a ferrite-less 3-coil system, uprox factor 1 sensors have distinct advantages. They detect all metals at the same switching distance, are magnetic field immune and feature large switching distances.

