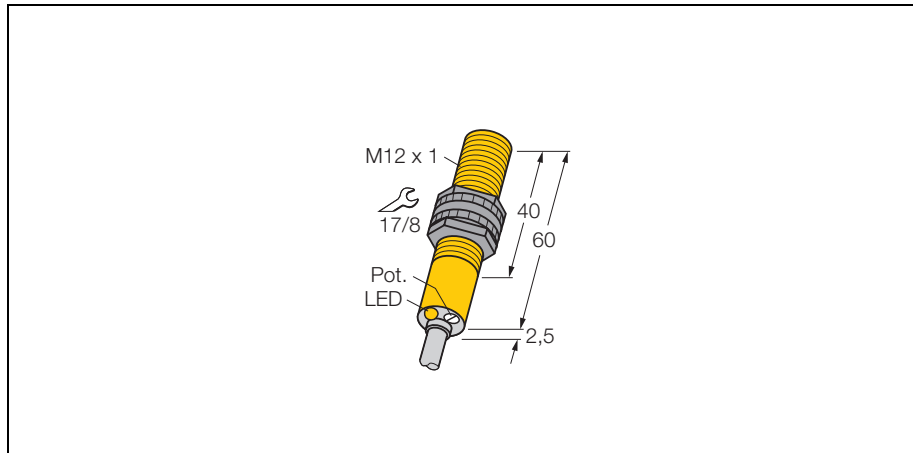


## capacitive sensor

### BC3-S12-AN6X

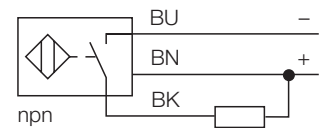
**TURCK**

Industrial  
Automation



- threaded barrel, M12 x 1
- plastic, PA12-GF30
- fine adjustment via potentiometer
- 3-wire DC, 10..0.30 VDC
- normally open npn output
- cable connection

#### Wiring diagram



#### Function principle

Capacitive proximity switches are designed for non-contact and wear-free detection of metal (electrically conductive) and non-metal (electrically non-conductive) objects.

<b>Type</b>	BC3-S12-AN6X
Ident-No.	2601300
<b>Rated operating distance Sn</b>	3 mm, flush mounting
Rated operating distance Sn	4.5 mm, non-flush mounting
Hysteresis	2... 20 %
Temperature drift	≤ ± 20 %
Repetition accuracy	≤ 2 %
Ambient temperature	-25...+ 70 °C
<b>Operating voltage</b>	10... 30 V DC
Residual ripple	≤ 10 % U <sub>SS</sub>
DC rated operational current	≤ 200 mA
No-load current I <sub>0</sub>	≤ 15 mA
Residual current	≤ 0.1 mA
Switching frequency	≤ 0.1 kHz
Rated insulation voltage	≤ 0.5 kV
Output function	3-wire, normally open, npn
Short-circuit protection	yes / cyclic
Voltage dip at I <sub>e</sub>	≤ 1.8 V
Wire breakage / reverse polarity protection	yes / complete
<b>Housing style</b>	threaded barrel; M12x1
Dimensions	60mm
Housing material	plastic, plastic, PA12-GF20
Material active area	plastic, PA12-GF30
Housing nut tightening torque	1 Nm
Connection	cable
cable quality	Ø 4, LiYY, PVC, 2 m
Cable cross section	3 x 0.25 mm <sup>2</sup>
Vibration resistance	55 Hz (1 mm)
Shock resistance	30g (11 ms)
Protection degree	IP67
<b>Switch state display</b>	LED yellow

capacitive sensor

BC3-S12-AN6X

**TURCK**

Industrial  
Automation

**Accessories**

Type code	Ident-No.	Short text	Dimension drawing
BST-12B	6947212	fixing clamp with dead-stop; material: PA6	