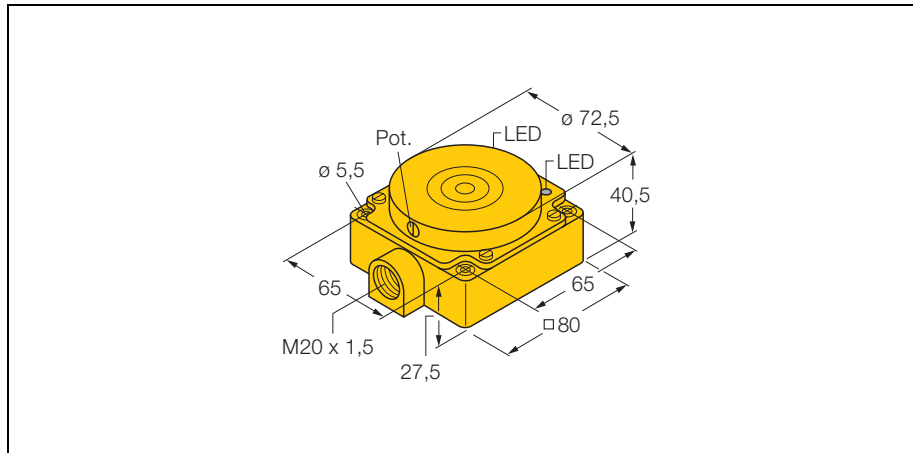


capacitive sensor

NC50-CP80-VP4X2

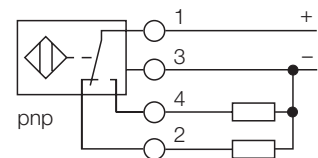
TURCK

Industrial
Automation



- rectangular, height 40.5mm
- top active face
- plastic, PBT12-GF30-V0
- fine adjustment via potentiometer
- 4-wire DC, 10..0.65 VDC
- change-over, pnp output
- terminal chamber

Wiring diagram



Function principle

Capacitive proximity switches are designed for non-contact and wear-free detection of metal (electrically conductive) and non-metal (electrically non-conductive) objects.

Type	NC50-CP80-VP4X2
Ident-No.	2580202
Rated operating distance S_n	50 mm, non-flush mounting
Hysteresis	2... 20 %
Temperature drift	$\leq \pm 20$ %
Repetition accuracy	≤ 2 %
Ambient temperature	-25...+ 70 °C
Operating voltage	10... 65 V DC
Residual ripple	≤ 10 % U_{SS}
DC rated operational current	≤ 200 mA
No-load current I_0	≤ 15 mA
Residual current	≤ 0.1 mA
Switching frequency	≤ 0.2 kHz
Rated insulation voltage	≤ 0.5 kV
Output function	4-wire, change-over, pnp
Short-circuit protection	yes / cyclic
Voltage dip at I_e	≤ 1.8 V
Wire breakage / reverse polarity protection	yes / complete
Housing style	rectangular; CP80
Dimensions	80x 80x 40.5mm
Housing material	plastic, PBT-GF30-V0
Material active area	plastic, PBT-GF30-V0
Connection	terminal chamber
Clamping ability	≤ 2.5 mm ²
Vibration resistance	55 Hz (1 mm)
Shock resistance	30g (11 ms)
Protection degree	IP67
Operating voltage display	LED green
Switch state display	LED yellow