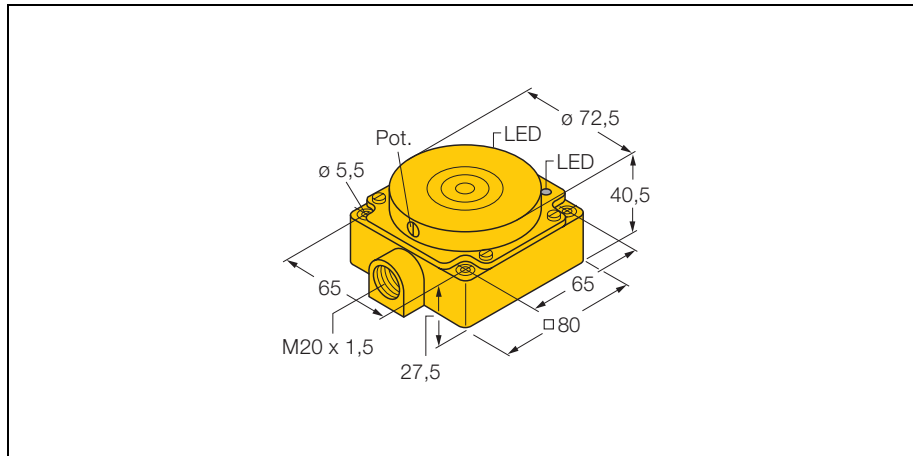


## capacitive sensor

### NC50-CP80-VN4X2

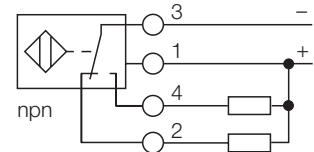
**TURCK**

Industrial  
Automation



- rectangular, height 40.5mm
- top active face
- plastic, PBT12-GF30-V0
- fine adjustment via potentiometer
- 4-wire DC, 10...65 VDC
- change-over, npn output
- terminal chamber

#### Wiring diagram



#### Function principle

Capacitive proximity switches are designed for non-contact and wear-free detection of metal (electrically conductive) and non-metal (electrically non-conductive) objects.

<b>Type</b>	NC50-CP80-VN4X2
Ident-No.	2580102
<b>Rated operating distance Sn</b>	50 mm, non-flush mounting
Hysteresis	2... 20 %
Temperature drift	≤ ± 20 %
Repetition accuracy	≤ 2 %
Ambient temperature	-25...+ 70 °C
<b>Operating voltage</b>	10... 65 V DC
Residual ripple	≤ 10 % U <sub>SS</sub>
DC rated operational current	≤ 200 mA
No-load current I <sub>0</sub>	≤ 15 mA
Residual current	≤ 0.1 mA
Switching frequency	≤ 0.2 kHz
Rated insulation voltage	≤ 0.5 kV
Output function	4-wire, change-over, npn
Short-circuit protection	yes / cyclic
Voltage dip at I <sub>e</sub>	≤ 1.8 V
Wire breakage / reverse polarity protection	yes / complete
<b>Housing style</b>	rectangular; CP80
Dimensions	80x 80x 40.5mm
Housing material	plastic, PBT-GF30-V0
Material active area	plastic, PBT-GF30-V0
Connection	terminal chamber
Clamping ability	≤ 2.5 mm <sup>2</sup>
Vibration resistance	55 Hz (1 mm)
Shock resistance	30g (11 ms)
Protection degree	IP67
<b>Operating voltage display</b>	LED green
Switch state display	LED yellow