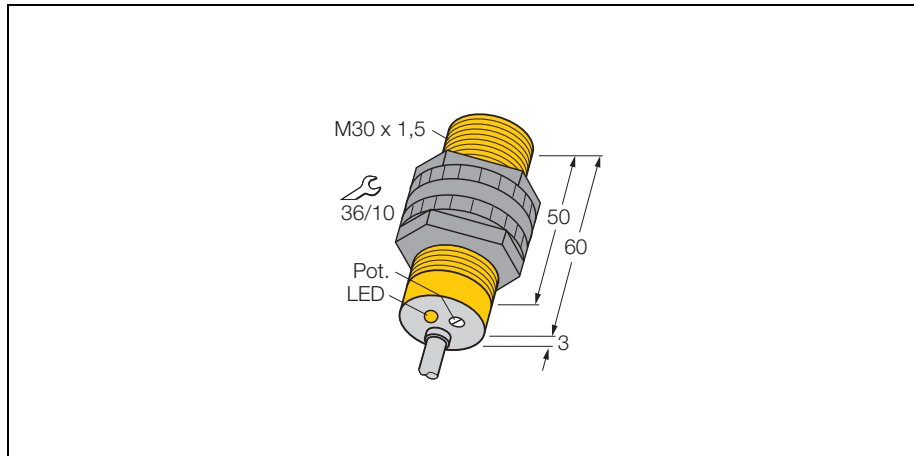


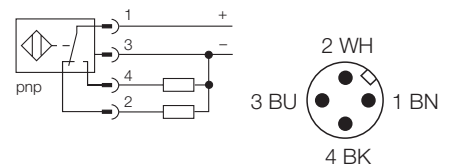
capacitive sensor

BC10-S30-VP4X-H1141



- threaded barrel, M30 x 1,5
- plastic, PA12-GF30
- fine adjustment via potentiometer
- 4-wire DC, 10..0.65 VDC
- change-over, pnp output
- connector, M12 x 1

Wiring diagram



Type	BC10-S30-VP4X-H1141
Ident-No.	2506100
Rated operating distance Sn	10 mm, flush mounting
Rated operating distance Sn	15 mm, non-flush mounting
Hysteresis	2... 20 %
Temperature drift	≤ ± 20 %
Repetition accuracy	≤ 2 %
Ambient temperature	-25...+ 70 °C
Operating voltage	10... 65 V DC
Residual ripple	≤ 10 % U _{SS}
DC rated operational current	≤ 200 mA
No-load current I ₀	≤ 15 mA
Residual current	≤ 0.1 mA
Switching frequency	≤ 0.1 kHz
Rated insulation voltage	≤ 0.5 kV
Output function	4-wire, change-over, pnp
Short-circuit protection	yes / cyclic
Voltage dip at I _e	≤ 1.8 V
Wire breakage / reverse polarity protection	yes / complete
Housing style	threaded barrel; M30 x 1,5
Dimensions	63mm
Housing material	plastic, plastic, PA12-GF20
Material active area	plastic, PA12-GF30
Housing nut tightening torque	5 Nm
Connection	connector, M12 x 1
Vibration resistance	55 Hz (1 mm)
Shock resistance	30g (11 ms)
Protection degree	IP67
Switch state display	LED yellow

Function principle

Capacitive proximity switches are designed for non-contact and wear-free detection of metal (electrically conductive) and non-metal (electrically non-conductive) objects.

capacitive sensor

BC10-S30-VP4X-H1141

TURCK

Industrial
Automation

Accessories

Type code	Ident-No.	Short text	Dimension drawing
MAP-M30	6950013	mounting adapter; material: Polypropylene; sensor replacement with filled container possible (adapter remains in container during sensor replacement)	
BST-30B	6947216	fixing clamp with dead-stop; material: PA6	
QM-30	6945103	quick-mount fixing clamp with dead-stop; material: chrome-plated brass male thread M36 x 1.5. Note: The switching distance of proximity switches can be reduced by the use of quick mounting brackets.	