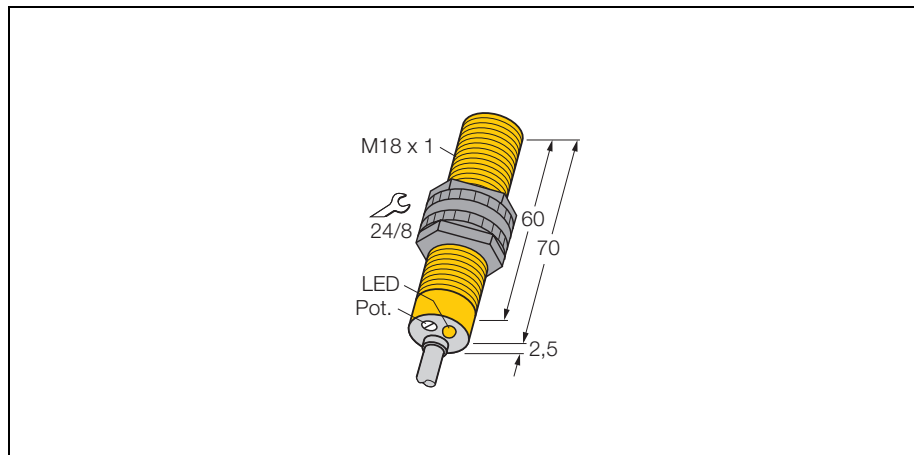
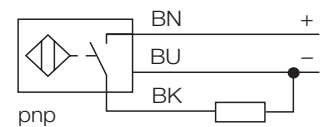


capacitive sensor
BC5-S18-AP4X


- threaded barrel, M18 x 1
- plastic, PA12-GF30
- fine adjustment via potentiometer
- 3-wire DC, 10..0.65 VDC
- normally open, pnp output
- cable connection

Wiring diagram

Function principle

Capacitive proximity switches are designed for non-contact and wear-free detection of metal (electrically conductive) and non-metal (electrically non-conductive) objects.

Type	BC5-S18-AP4X
Ident-No.	25030
Rated operating distance Sn	5 mm, flush mounting
Rated operating distance Sn	7.5 mm, non-flush mounting
Hysteresis	2... 20 %
Temperature drift	≤ ± 20 %
Repetition accuracy	≤ 2 %
Ambient temperature	-25...+ 70 °C
Operating voltage	10... 65 V DC
Residual ripple	≤ 10 % U _{SS}
DC rated operational current	≤ 200 mA
No-load current I ₀	≤ 15 mA
Residual current	≤ 0.1 mA
Switching frequency	≤ 0.1 kHz
Rated insulation voltage	≤ 0.5 kV
Output function	3-wire, normally open, pnp
Short-circuit protection	yes / cyclic
Voltage dip at I _e	≤ 1.8 V
Wire breakage / reverse polarity protection	yes / complete
Housing style	threaded barrel; M18 x 1
Dimensions	70mm
Housing material	plastic, plastic, PA12-GF20
Material active area	plastic, PA12-GF30
Housing nut tightening torque	2 Nm
Connection	cable
cable quality	Ø 5.2, LiYY, PVC, 2 m
Cable cross section	3 x 0.34 mm ²
Vibration resistance	55 Hz (1 mm)
Shock resistance	30g (11 ms)
Protection degree	IP67
Switch state display	LED yellow

capacitive sensor

BC5-S18-AP4X

TURCK

Industrial
Automation

Accessories

Type code	Ident-No.	Short text	Dimension drawing
QM-18	6945102	quick-mount fixing clamp with dead-stop; material: chrome-plated brass male thread M24 x 1.5. Note: The switching distance of proximity switches can be reduced by the use of quick mounting brackets.	
BS18	69471	fixing clamp; material: PA66-GF	
BSN18	69472	fixing clamp; material: PA66-GF	
BST-18B	6947214	fixing clamp with dead-stop; material: PA6	
MAP-M18	6950012	mounting adapter; material: Polypropylene; sensor replacement with filled container possible (adapter remains in container during sensor replacement)	