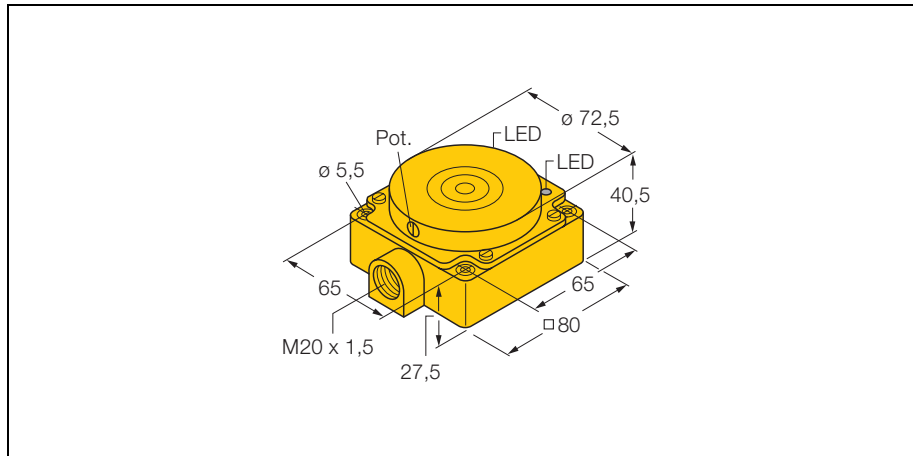


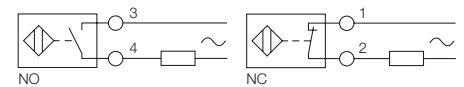
capacitive sensor

NC50-CP80-FZ3X2



- rectangular, height 40.5mm
- top active face
- plastic, PBT12-GF30-V0
- fine adjustment via potentiometer
- 2-wire AC, 20...250 VAC
- connection programmable (n.c./n.o.)
- terminal chamber

Wiring diagram



Function principle

Capacitive proximity switches are designed for non-contact and wear-free detection of metal (electrically conductive) and non-metal (electrically non-conductive) objects.

Type	NC50-CP80-FZ3X2
Ident-No.	2310600
Rated operating distance Sn	50 mm, non-flush mounting
Hysteresis	2... 20 %
Temperature drift	≤ ± 20 %
Repetition accuracy	≤ 2 %
Ambient temperature	-25...+ 70 °C
Operating voltage	20... 250 VAC
AC rated operational current	≤ 500 mA
Mains frequency	50 ... 60 Hz
Smallest operating current I _m	≥ 5 mA
Residual current	≤ 1.7 mA
Switching frequency	≤ 0.02 kHz
Rated insulation voltage	≤ 1.5 kV
Output function	2-wire, connection programmable
Voltage dip at I _e	≤ 7 V
Housing style	rectangular; CP80
Dimensions	80x 80x 40.5mm
Housing material	plastic, PBT-GF30-V0
Material active area	plastic, PBT-GF30-V0
Connection	terminal chamber
Clamping ability	≤ 2.5 mm ²
Vibration resistance	55 Hz (1 mm)
Shock resistance	30g (11 ms)
Protection degree	IP67
Operating voltage display	LED green
Switch state display	LED yellow