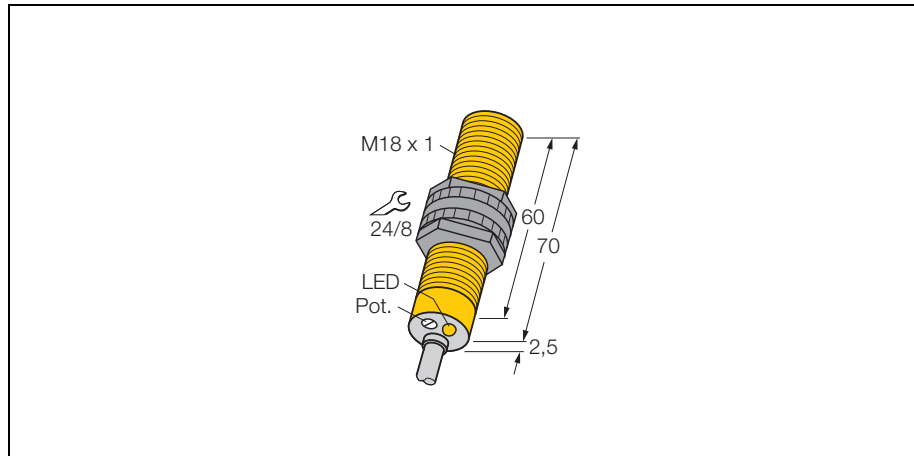


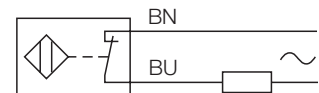
capacitive sensor

BC5-S18-RZ3X



- threaded barrel, M18 x 1
- plastic, PA12-GF30
- fine adjustment via potentiometer
- 2-wire AC, 20...250 VAC
- normally closed
- cable connection

Wiring diagram



Function principle

Capacitive proximity switches are designed for non-contact and wear-free detection of metal (electrically conductive) and non-metal (electrically non-conductive) objects.

Type	BC5-S18-RZ3X
Ident-No.	2305400
Rated operating distance Sn	5 mm, flush mounting
Rated operating distance Sn	7.5 mm, non-flush mounting
Hysteresis	2... 20 %
Temperature drift	≤ ± 20 %
Repetition accuracy	≤ 2 %
Ambient temperature	-25...+ 70 °C
Operating voltage	20... 250 VAC
AC rated operational current	≤ 500 mA
Mains frequency	50 ... 60 Hz
Smallest operating current I _m	≥ 5 mA
Residual current	≤ 1.7 mA
Switching frequency	≤ 0.02 kHz
Rated insulation voltage	≤ 1.5 kV
Output function	2-wire, normally closed
Voltage dip at I _e	≤ 7 V
Housing style	threaded barrel; M18 x 1
Dimensions	70mm
Housing material	plastic, plastic, PA12-GF20
Material active area	plastic, PA12-GF30
Housing nut tightening torque	2 Nm
Connection	cable
cable quality	Ø 5.2, LifYY, PVC, 2 m
Cable cross section	2 x 0.34 mm ²
Vibration resistance	55 Hz (1 mm)
Shock resistance	30g (11 ms)
Protection degree	IP67
Switch state display	LED yellow

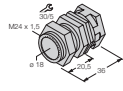
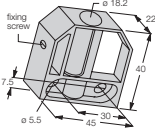
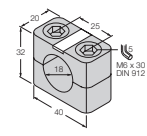
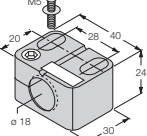
capacitive sensor

BC5-S18-RZ3X

TURCK

Industrial
Automation

Accessories

Type code	Ident-No.	Short text	Dimension drawing
QM-18	6945102	quick-mount fixing clamp with dead-stop; material: chrome-plated brass male thread M24 x 1.5. Note: The switching distance of proximity switches can be reduced by the use of quick mounting brackets.	
BS18	69471	fixing clamp; material: PA66-GF	
BSN18	69472	fixing clamp; material: PA66-GF	
BST-18B	6947214	fixing clamp with dead-stop; material: PA6	
MAP-M18	6950012	mounting adapter; material: Polypropylene; sensor replacement with filled container possible (adapter remains in container during sensor replacement)	