

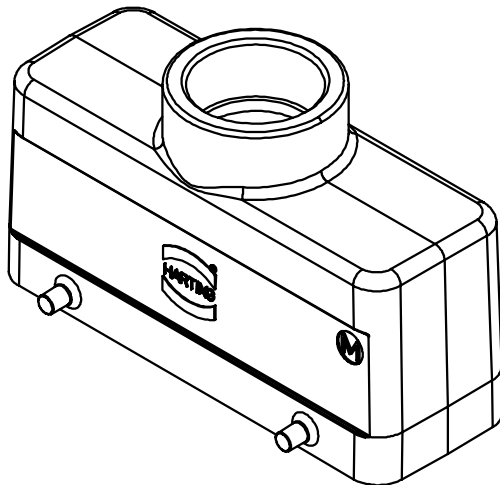
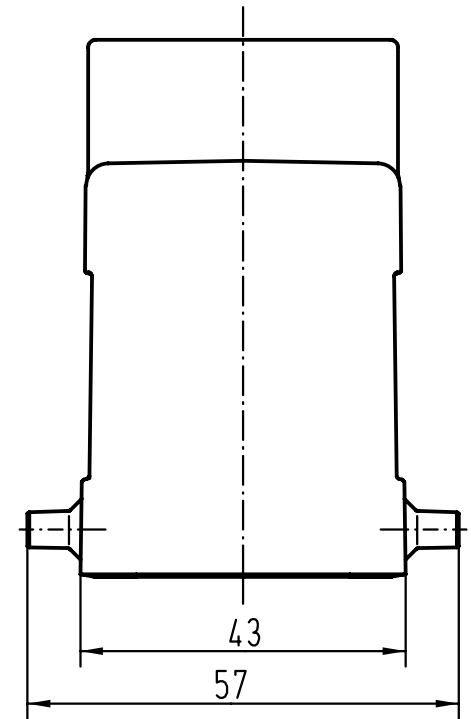
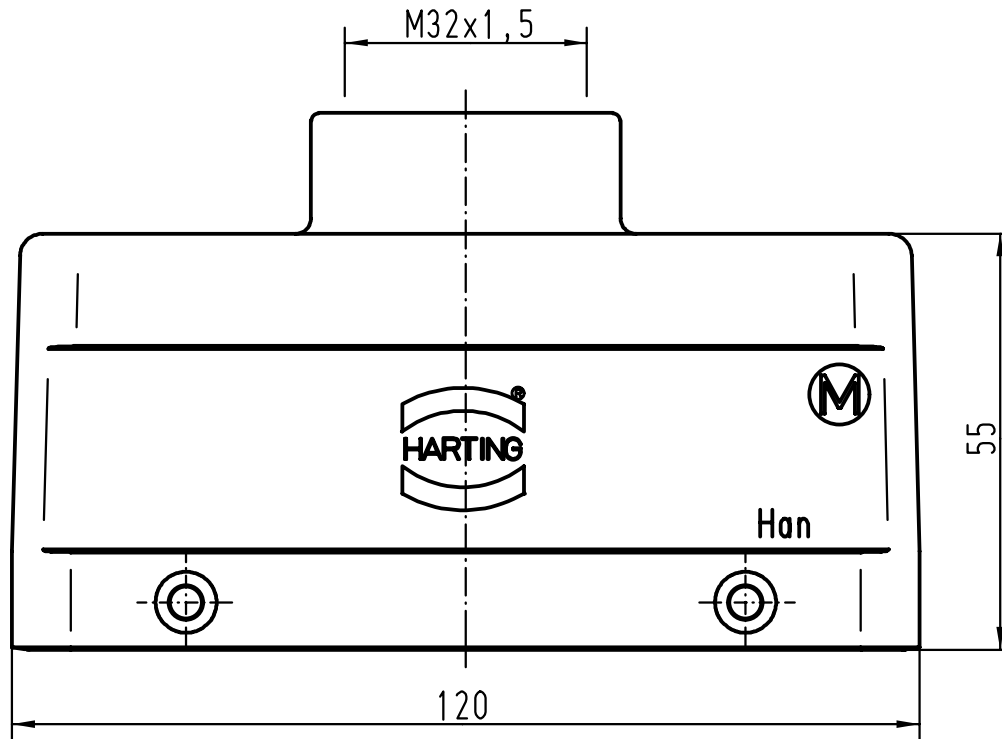
5



4

3

2

1



| | | | | | |
|---|-------------------|----------|-------------------|---|--|
|  All Dimensions in mm Original Size DIN A 4 | Techn. Character. | | | Nicht tolerierte Masse/ Free size tolerances | |
| | | Dat. | Name | Massstab/Scale | |
| | Detail. | 16.11.00 | Gü | 1:1 | |
| | Insp. | | KR | | |
| | Stand. | | | | |
| 28836 | HARTING KGaA | | |  TB 19 30 024 1422 | |
| Mod. | Dat. | Name | D-32339 ESPELKAMP | | |
| | | | | Sub. | |