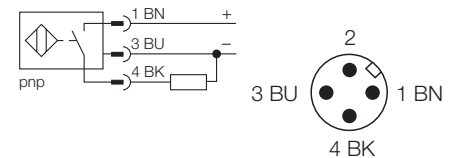


- threaded barrel, M30 x 1,5
- stainless steel, 1.4301
- factor 1 for all metals
- degree of protection IP68
- magnetic field immune
- extended temperature range
- high switching frequency
- predamping protection through self-compensation
- 3-wire DC, 10..0.30 VDC
- normally open, pnp output
- connector, M12 x 1

Type	Ni20U-EM30-AP6X-H1141
Ident-No.	1646340
Rated operating distance Sn	20 mm
Mounting condition	non-flush, partial embedding possible
Assured switching distance	≤ (0,81 x Sn) mm
Repetition accuracy	≤ 2 %
Temperature drift	≤ ± 10 %
Hysteresis	≤ ± 15 %, ≤ -25 °C v ≥ +70 °C
ambient temperature	3... 15 %
	-30 ... + 85 °C
Operating voltage	10... 30 V DC
Residual ripple	≤ 10 % U _{SS}
DC rated operational current	≤ 200 mA
No-load current I ₀	≤ 15 mA
Residual current	≤ 0.1 mA
Rated insulation voltage	≤ 0.5 kV
Short-circuit protection	yes / cyclic
Voltage dip at I _e	≤ 1.8 V
Wire breakage / reverse polarity protection	yes / complete
Output function	3-wire, normally open, pnp
Insulation class	□
Switching frequency	≤ 1.5 kHz
Housing style	threaded barrel; M30 x 1,5
Dimensions	62 mm
Housing material	metal, A2 1.4301 (AISI 304)
Material active area	plastic, PBT
Housing nut tightening torque	75 Nm
Connection	connector, M12 x 1
Vibration resistance	55 Hz (1 mm)
Shock resistance	30g (11 ms)
Protection degree	IP68
Switch state display	LED yellow

Wiring diagram

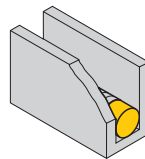
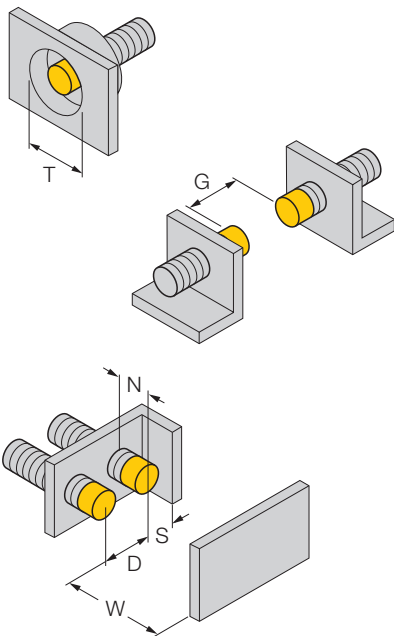


Function principle

Inductive sensors are designed for wear-free and non-contact detection of metal objects. Due to a ferrite-less 3-coil system, uprox factor 1 sensors have distinct advantages. They detect all metals at the same switching distance, are magnetic field immune and feature large switching distances.

Mounting instructions	minimum distances
Distance D	3 x B
Distance W	3 x Sn
Distance T	3 x B
Distance S	0,5 x B
Distance G	6 x Sn
Distance N	2 x Sn

Diameter of the active area B	Ø 30 mm
--------------------------------------	---------



3-side flush mounting possible
 1-side flush mounting: Sr = 15 mm
 2-side flush mounting: Sr = 12 mm
 3-side flush mounting: Sr = 11 mm