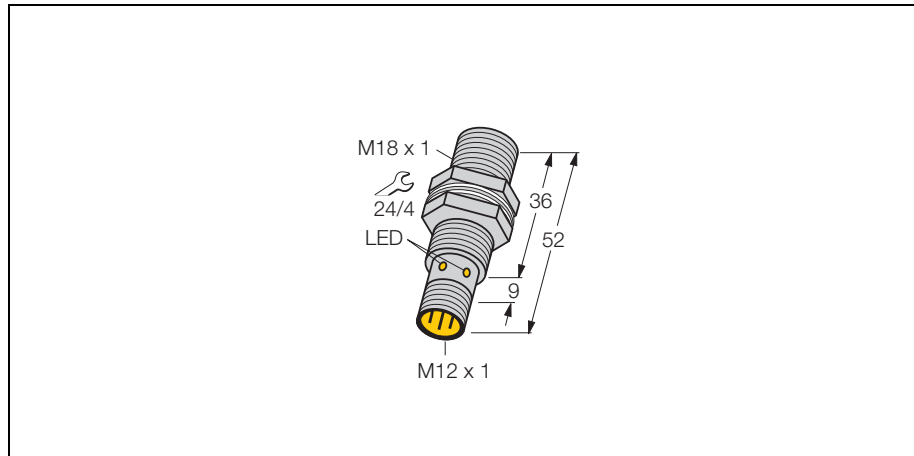
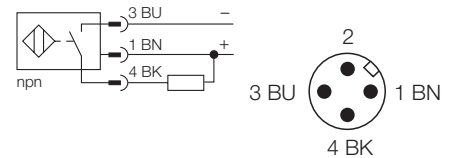


Bi5U-MT18-AN6X-H1141



- threaded barrel, M18 x 1
- teflon-coated brass
- factor 1 for all metals
- magnetic field immune
- extended temperature range
- high switching frequency
- 3-wire DC, 10..0.30 VDC
- normally open npn output
- connector, M12 x 1

Wiring diagram



Type	Bi5U-MT18-AN6X-H1141
Ident-No.	1635250
Rated operating distance Sn	5 mm
Mounting condition	flush
Assured switching distance	≤ (0,81 x Sn) mm
Repetition accuracy	≤ 2 %
Temperature drift	≤ ± 10 %
Hysteresis	≤ ± 15 %, ≤ -25 °C v ≥ +70 °C
ambient temperature	-30 ... + 85 °C
Operating voltage	10... 30 V DC
Residual ripple	≤ 10 % U _{SS}
DC rated operational current	≤ 200 mA
No-load current I ₀	≤ 15 mA
Residual current	≤ 0.1 mA
Rated insulation voltage	≤ 0.5 kV
Short-circuit protection	yes / cyclic
Voltage dip at I _e	≤ 1.8 V
Wire breakage / reverse polarity protection	yes / complete
Output function	3-wire, normally open, npn
Insulation class	□
Switching frequency	≤ 2.5 kHz
Housing style	threaded barrel; M18 x 1
Dimensions	52 mm
Housing material	metal, CuZn, teflonised
Material active area	plastic, PBT, teflonised
Housing nut tightening torque	15 Nm
Connection	connector, M12 x 1
Vibration resistance	55 Hz (1 mm)
Shock resistance	30g (11 ms)
Protection degree	IP67
Switch state display	LED yellow

Function principle

Inductive sensors are designed for wear-free and non-contact detection of metal objects. Due to a ferrite-less 3-coil system, uprox factor 1 sensors have distinct advantages. They detect all metals at the same switching distance, are magnetic field immune and feature large switching distances.