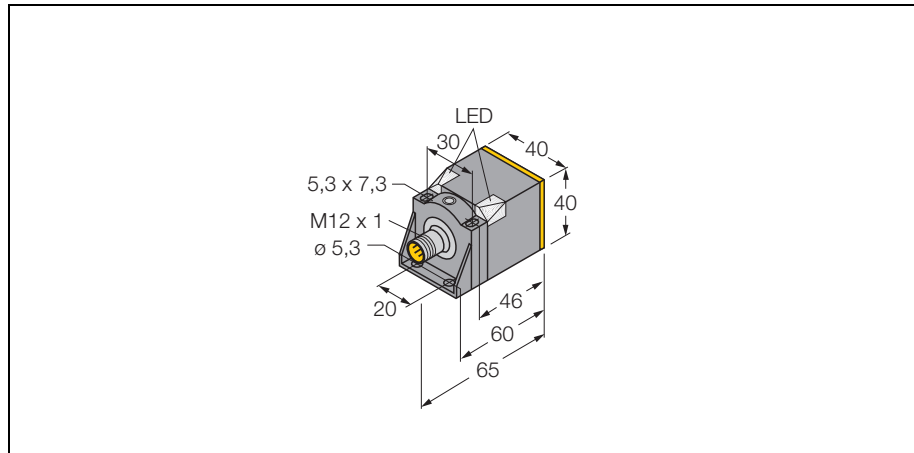


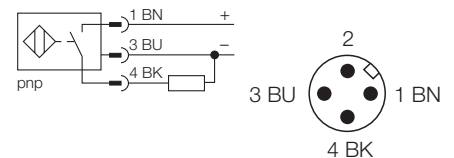
Bi30U-CK40-AP6X2-H1141



- rectangular, height 40 mm
- 5 selectable sensor head positions
- plastic, PBT-GF30-V0
- factor 1 for all metals
- degree of protection IP68
- magnetic field immune
- large detection range
- high switching frequency
- 3-wire DC, 10..0.30 VDC
- normally open, pnp output
- connector, M12 x 1

Type	Bi30U-CK40-AP6X2-H1141
Ident-No.	1625829
Rated operating distance Sn	30 mm
Mounting condition	flush
Assured switching distance	≤ (0,81 x Sn) mm
Repetition accuracy	≤ 2 %
Temperature drift	≤ ± 10 %
Hysteresis	3... 15 %
ambient temperature	-10 ... + 60 °C
Operating voltage	10... 30 V DC
Residual ripple	≤ 10 % U _{SS}
DC rated operational current	≤ 200 mA
No-load current I ₀	≤ 15 mA
Residual current	≤ 0.1 mA
Rated insulation voltage	≤ 0.5 kV
Short-circuit protection	yes / cyclic
Voltage dip at I _e	≤ 1.8 V
Wire breakage / reverse polarity protection	yes / complete
Output function	3-wire, normally open, pnp
Insulation class	□
Switching frequency	≤ 0.25 kHz
Housing style	rectangular; CK40
Dimensions	65 x 40 x 40 mm
Housing material	plastic, PBT-GF30-V0, black
Material active area	plastic, PA6-GF30-X, yellow
Connection	connector, M12 x 1
Vibration resistance	55 Hz (1 mm)
Shock resistance	30g (11 ms)
Protection degree	IP68
Operating voltage display	LED green
Switch state display	LED yellow
Included in scope of supply	BS4-CK40

Wiring diagram



Function principle

Inductive sensors are designed for wear-free and non-contact detection of metal objects. uprox+ sensors have distinct advantages due to their patented multi-coil system. They excel in highest switching distances, maximum flexibility and operational reliability as well as efficient standardisation.