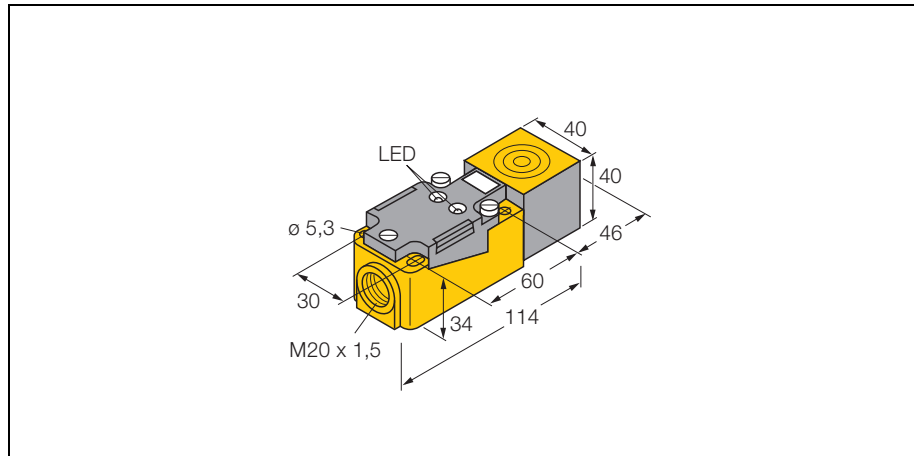


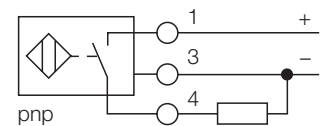
inductive sensor with extended switching distance Ni40U-CP40-AP6X2



- rectangular, height 40 mm
- 9 selectable sensor head positions
- plastic, PBT-GF30-V0
- factor 1 for all metals
- extended switching distance
- degree of protection IP68
- large detection range
- magnetic field immune
- extended temperature range
- high switching frequency
- 3-wire DC, 10..0.30 VDC
- normally open, pnp output
- terminal chamber

Type	Ni40U-CP40-AP6X2
Ident-No.	1623600
Rated operating distance Sn	40 mm
Mounting condition	non-flush
Assured switching distance	≤ (0,81 x Sn) mm
Repetition accuracy	≤ 2 %
Temperature drift	≤ ± 10 %
Hysteresis	≤ ± 15 %, ≤ -25 °C v ≥ +70 °C
ambient temperature	-30 ... + 85 °C
Operating voltage	10... 30 V DC
Residual ripple	≤ 10 % U _{SS}
DC rated operational current	≤ 200 mA
No-load current I ₀	≤ 15 mA
Residual current	≤ 0.1 mA
Rated insulation voltage	≤ 0.5 kV
Short-circuit protection	yes / cyclic
Voltage dip at I _e	≤ 1.8 V
Wire breakage / reverse polarity protection	yes / complete
Output function	3-wire, normally open, pnp
Insulation class	□
Switching frequency	≤ 0.25 kHz
Housing style	rectangular; CP40
Dimensions	114 x 40 x 40 mm
Housing material	plastic, PBT-GF30-V0, black
Material active area	plastic, PA6-GF30-X, yellow
Connection	terminal chamber
Clamping ability	≤ 2.5 mm ²
Vibration resistance	55 Hz (1 mm)
Shock resistance	30g (11 ms)
Protection degree	IP68
Operating voltage display	LED green
Switch state display	LED yellow

Wiring diagram



Function principle

Inductive sensors are designed for wear-free and non-contact detection of metal objects. Due to a ferrite-less 3-coil system, uprox factor 1 sensors have distinct advantages. They detect all metals at the same switching distance, are magnetic field immune and feature large switching distances.