

5

4

3

2

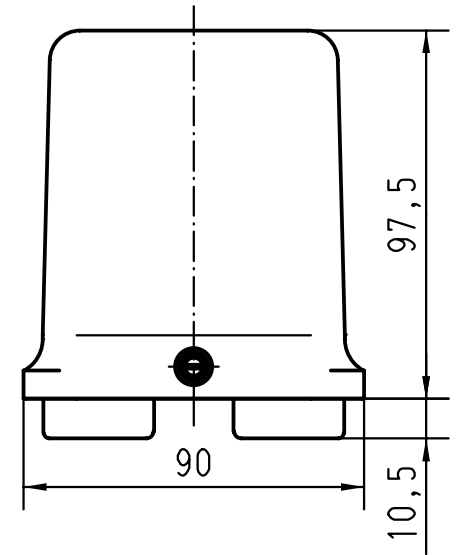
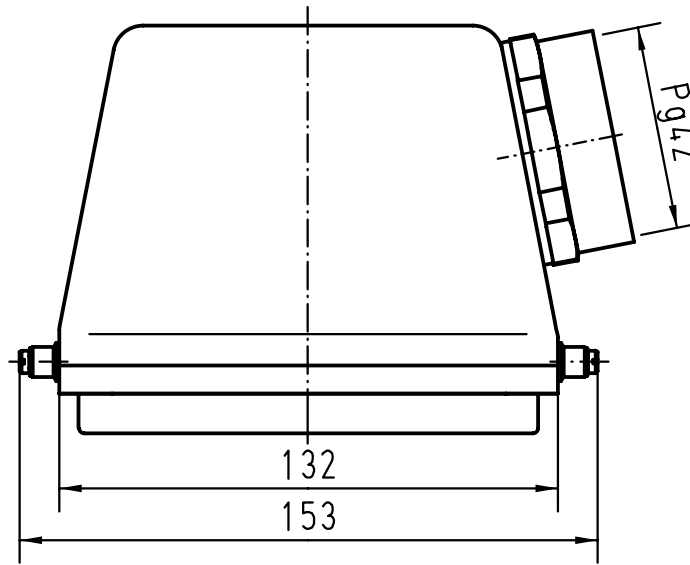
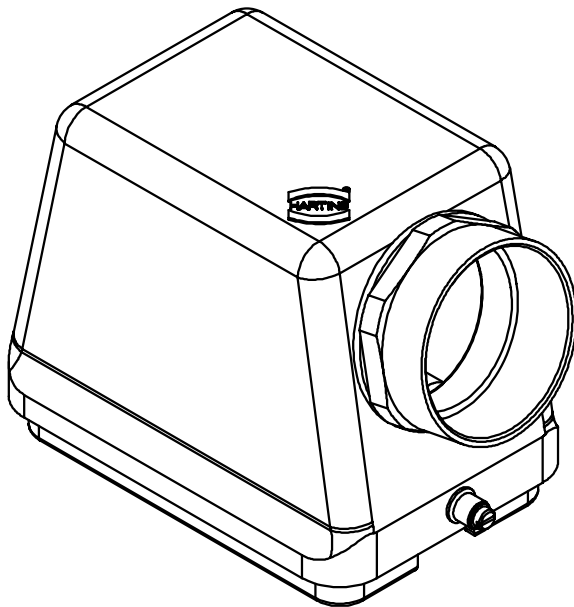
1

D

C

B

A



All Dimensions in mm Original Size DIN A 4			Techn. Character.			Nicht tolerierte Masse/ Free size tolerances				
				Dat.	Name	Massstab/Scale  <b>1:2</b>	<b>Han 48B-gs-42</b> Tüllengehäuse/ hoods side-entry			
			Detail.	07.12.99	Th					
			Insp.		SDT					
			Stand.							
27650			HARTING KGaA D-32339 ESPELKAMP				<b>TB 09 30 048 0542</b>			Blatt/ page /
Mod.	Dat.	Name					Sub. TB 09 30 048 054. v. 27.08.96			