

5

4

3

2

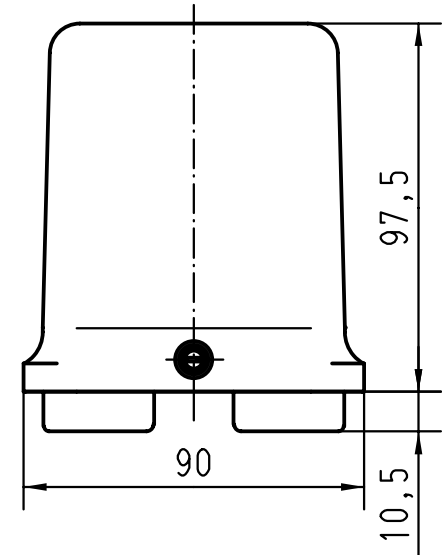
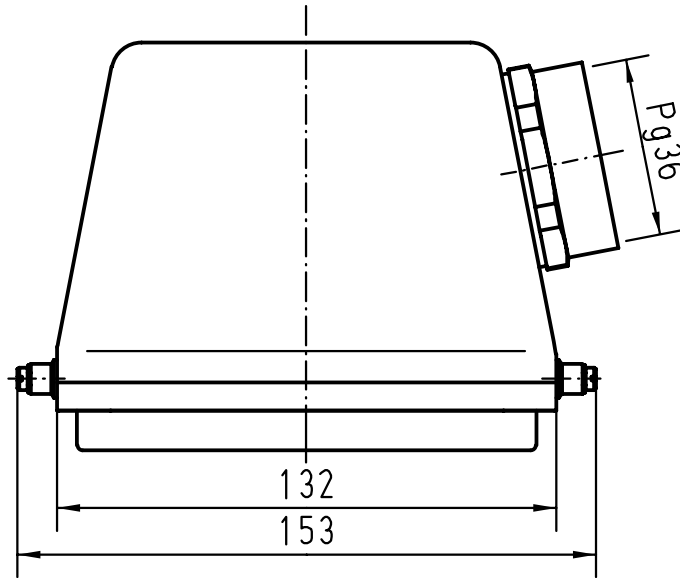
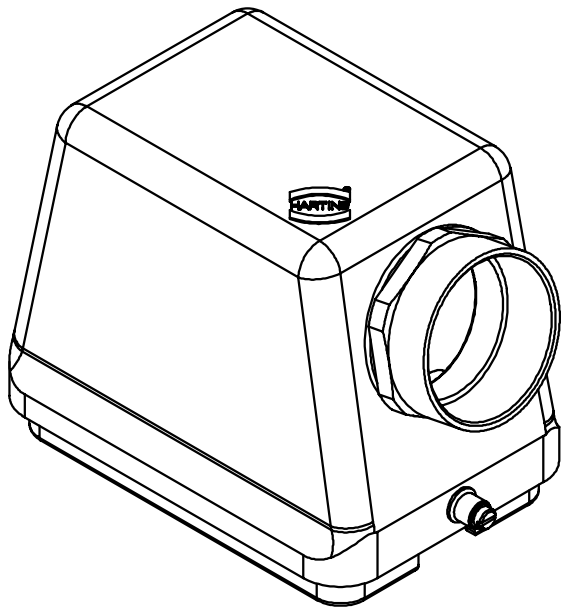
1



D

C

B

A



|   |      |      |                   |          |      |   |  |  |
|---|------|------|-------------------|----------|------|---|--|--|
|  All Dimensions in mm<br>Original Size DIN A 4 |      |      | Techn. Character. |          |      | Nicht tolerierte Masse/ Free size tolerances  |  |  |
|   |      |      |                   | Dat.     | Name | Massstab/Scale<br><b>1:2</b>  | <b>Han 48B-gs-36</b><br>Tüllengehäuse/<br>hoods side-entry |  |
|   |      |      | Detail.           | 07.12.99 | Th   |   |  |  |
|   |      |      | Insp.             |          | SDT  |   |  |  |
|   |      |      | Stand.            |          |      |   |  |  |
| 27650   |      |      | HARTING KGaA      |          |      |  | <b>TB 09 30 048 0541</b>                                   |  |
| Mod.  | Dat. | Name | D-32339 ESPELKAMP |          |      |   |  |  |
|   |      |      |                   |          |      |   | Blatt/ page  |  |