

5

4

3

2

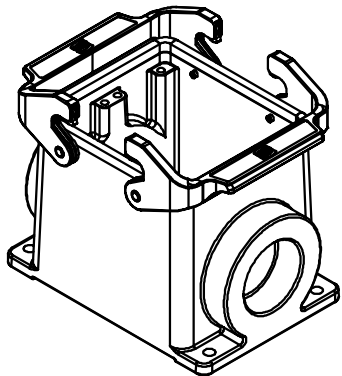
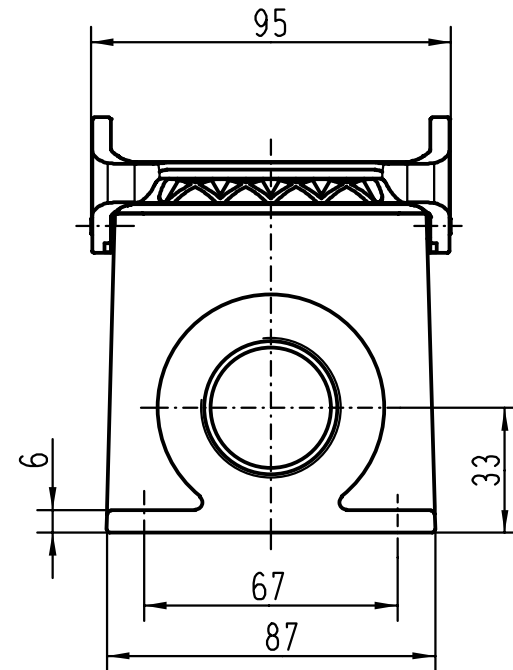
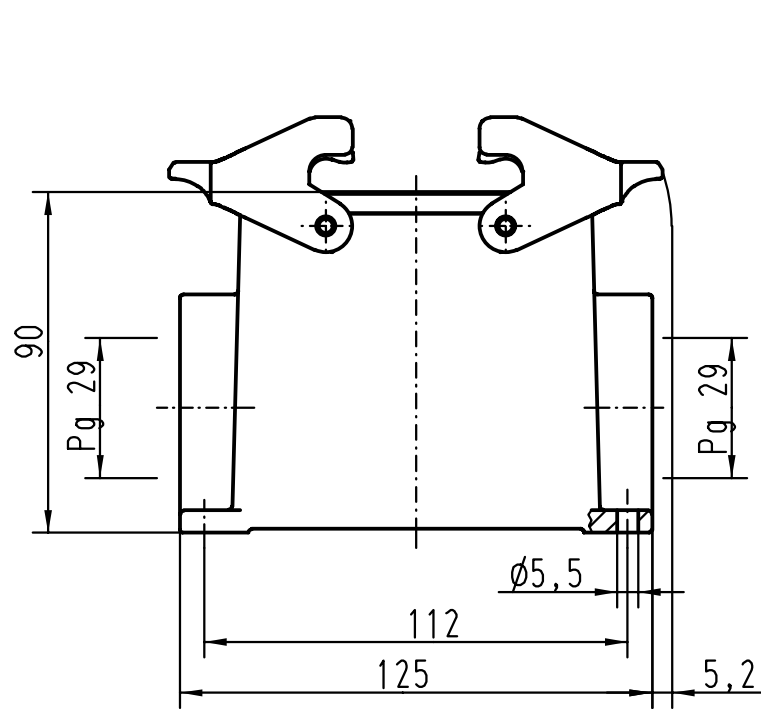
1

D

C

B

A



|       |                                               |      |                   |                   |          |                                              |                                                                   |
|-------|-----------------------------------------------|------|-------------------|-------------------|----------|----------------------------------------------|-------------------------------------------------------------------|
|       | All Dimensions in mm<br>Original Size DIN A 4 |      |                   | Techn. Character. |          | Nicht tolerierte Masse! Free size tolerances |                                                                   |
|       |                                               |      |                   |                   |          |                                              |                                                                   |
|       |                                               |      |                   | Detail.           | 04.02.93 | PENNER                                       | Han 32B-asg2-QB-29<br>Sockelgehäuse/<br>housings surface mounting |
|       |                                               |      | Insp.             |                   | HERB     | 1:2                                          |                                                                   |
|       |                                               |      | Stand.            |                   | NÖTZEL   |                                              |                                                                   |
| 24826 | 30.11.98                                      | PL   | HARTING KGaA      |                   |          | TB 09 30 032 0271                            |                                                                   |
| Mod.  | Dat.                                          | Name | D-32339 ESPELKAMP |                   |          | Sub.                                         |                                                                   |
|       |                                               |      |                   |                   |          |                                              | Blatt/ page                                                       |