

5

4

3

2

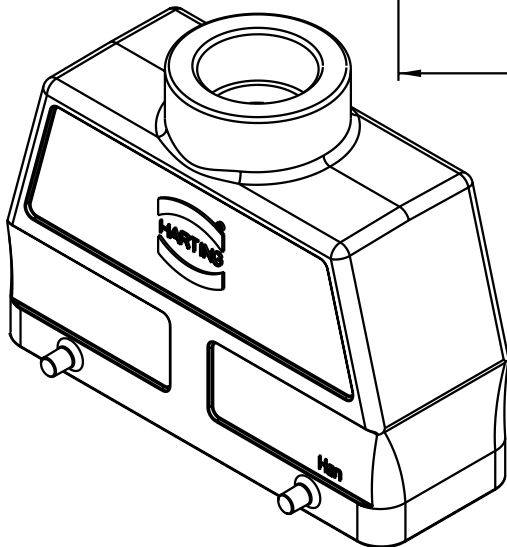
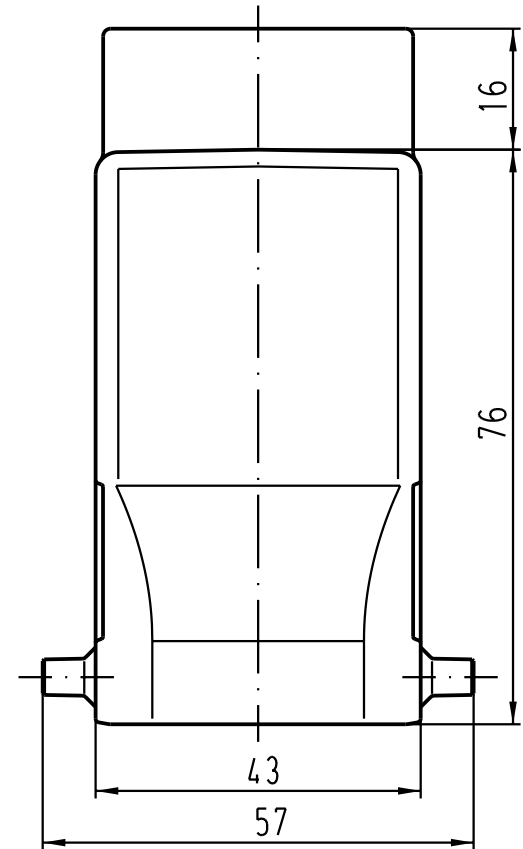
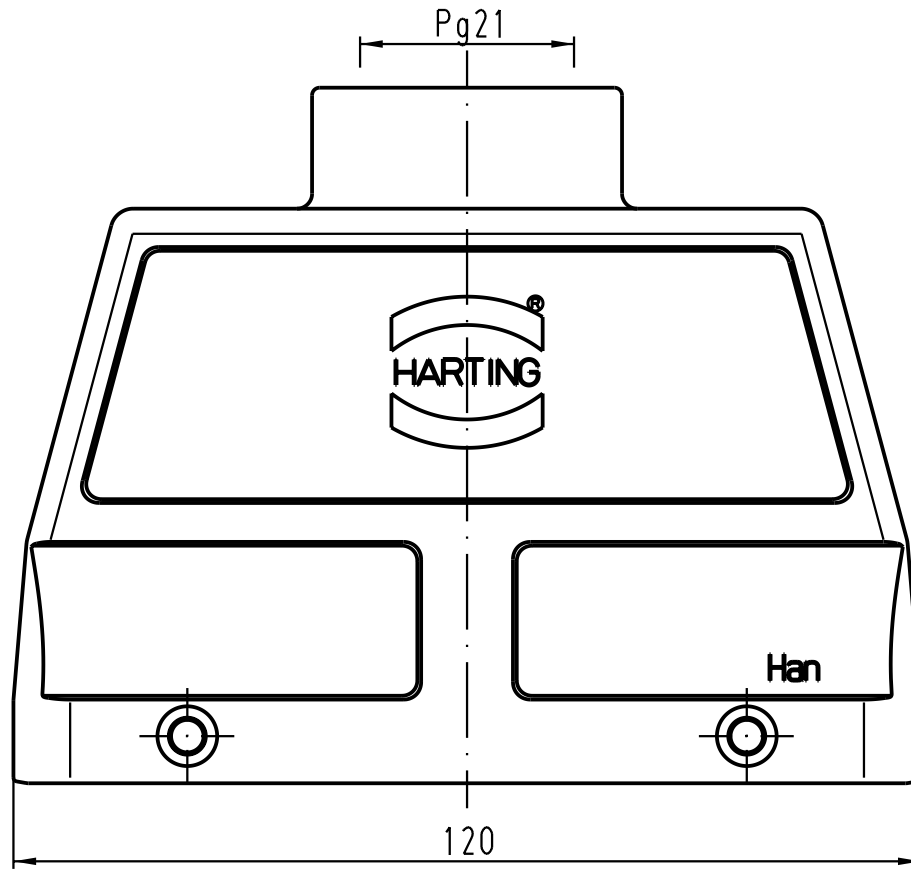
1

D

C

B

A



| | | | | | | |
|-----------------------------------------------|------|--------------------------------|-------------------|------|----------------------------------------------|-------------------------------------------------|
| All Dimensions in mm Original Size DIN A 4 | | Techn. Character. | | | Nicht tolerierte Masse/ Free size tolerances | |
| | | | Dat. | Name | Massestab/Scale 1:1 | Han 24B-gg-21 Tüllengehäuse/ hoods |
| | | Detail. | 22.10.01 | Gö | | |
| | | Insp. | | KR | | |
| | | Stand. | | | | |
| 30140 | | HARTING Electric GmbH & Co. KG | | | | TB 09 30 024 0420 |
| Mod. | Dat. | Name | D-32339 Espelkamp | | | |
| | | | | | Sub. | TB 09 30 0.. 042. v. 03.02.93 |
| | | | | | | Blatt/ page |