

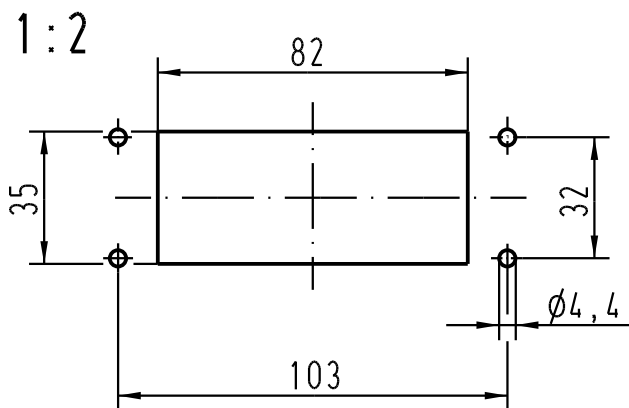
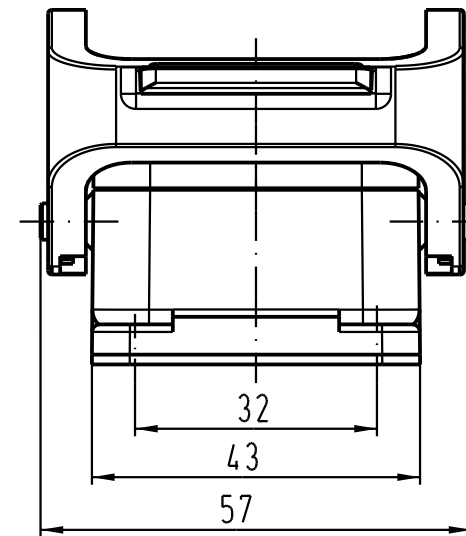
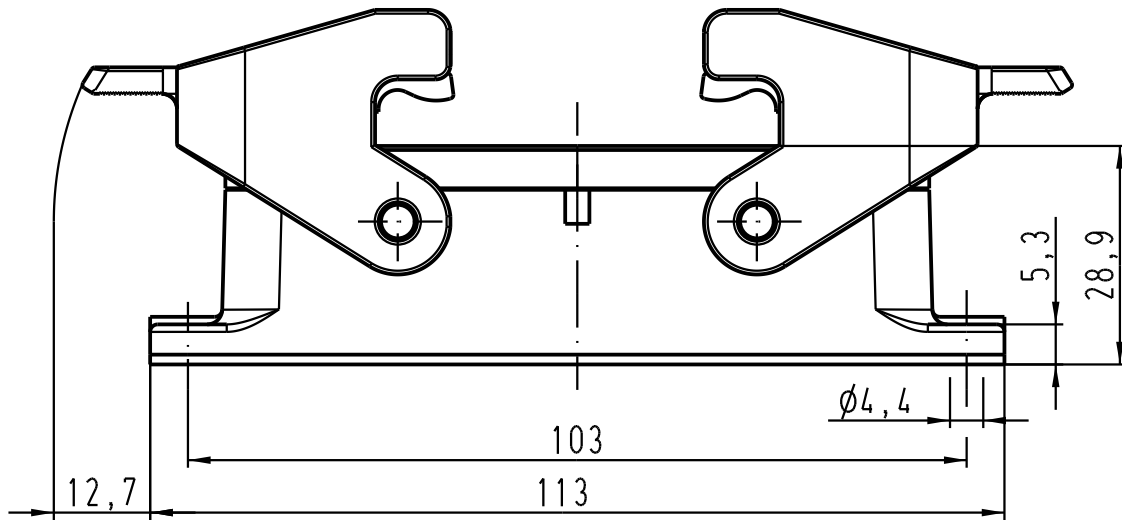
1 2 3 4 5 6

A

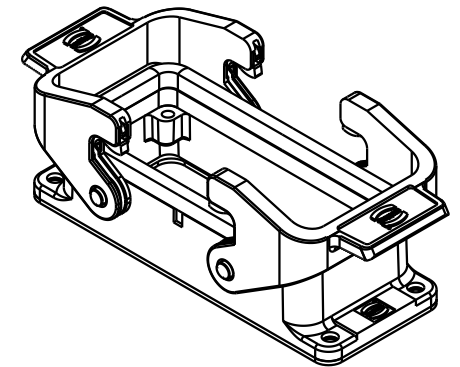
B



C

D



Montageausschnitt/
panel cut out



| | | | | | | | | |
|---|----------|------|--------------------------------|----------|------|---|--|---|
|  All Dimensions in mm Original Size DIN A 4 | | | Techn. Character. | | | Nicht tolerierte Masse/ Free size tolerances | | |
| | | | | Dat. | Name | Massstab/Scale | | Han 16B-agg-QB Anbaugeschäfte/ housings bulkhead mounting |
| | | | Detail. | 10.05.99 | Gü | 1:1 | | |
| | | | Insp. | | Sdt | 1:2 | | |
| 411477 | 17.02.05 | Ho | Stand. | | | | | |
| 411137 | 12.07.04 | ML | HARTING Electric GmbH & Co. KG | | |  TB 09 30 016 0301 | | Blatt/ page |
| 25896 | | | D-32339 Espelkamp | | | | | |
| Mod. | Dat. | Name | | | | Sub. TB 09 30 0.. 0301 v. 28.01.93 | | |