

5

4

3

2

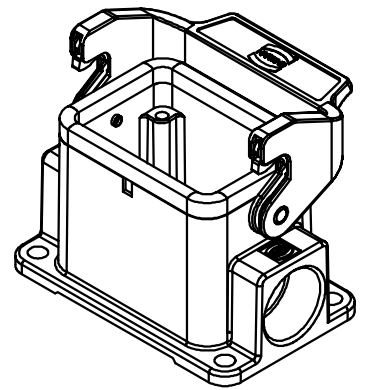
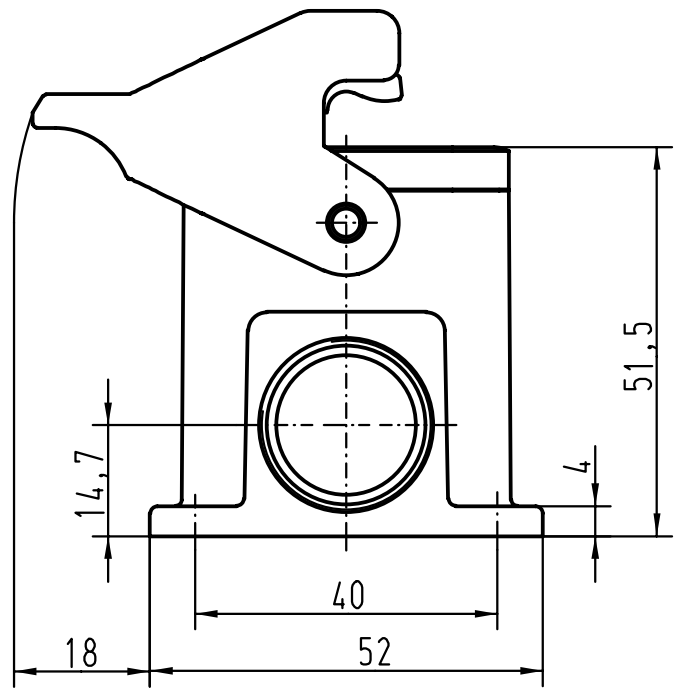
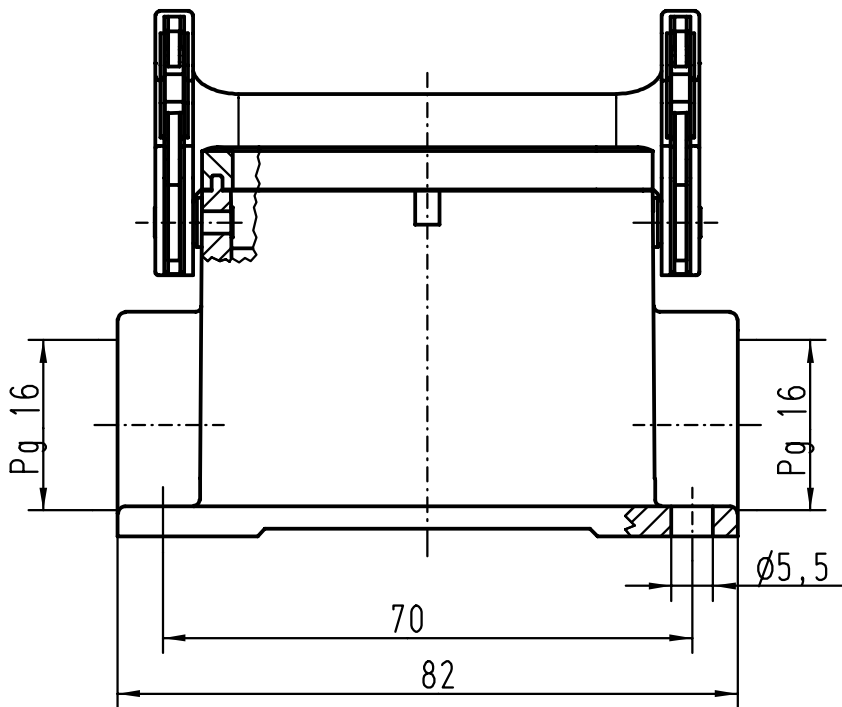
1

D

C

B

A



|   |                   |         |                                   |  |   |        |
|---|-------------------|---------|-----------------------------------|--|---|--------|
| <p>All Dimensions in mm<br/>Original Size DIN A 4</p> | Techn. Character. |         |                                   | Nicht tolerierte Masse! Free size tolerances |   |        |
|   |                   |         |                                   | Massstab/Scale<br><br><b>1:1</b>             | <b>Han 6B-asg2-LB-16</b><br>Sockelgehäuse/<br><i> housings surface mounting</i> |        |
|   |                   | Detail. | 15.01.93                          |  |   | PENNER |
|   |                   | Insp.   |                                   |  |   | HERB   |
|   |                   | Stand.  |                                   | NÖTZEL                                       |   |        |
| 24790   | 23.10.98          | PL      | HARTING KGaA<br>D-32339 ESPELKAMP |  | TB 09 30 006 1291<br>Sub.   |        |
| Mod.  | Dat.              | Name    |                                   |  | Blatt/ page   |        |