



## Advantages

- Optimised handling for big wires or multiple cables
- Reduced wiring times
- Visible wiring
- Integrated cable gland
- Cord grip
- Captive screws
- Optimised cable entry

## Technical characteristics

Material	Aluminium die-cast
Surface	powder-coated RAL 7037 (grey)
Seal	NBR
Conduit adaptor	POM
Limiting temperatures	-40 °C / +85 °C
Degree of protection accd. to DIN 60 529	IP 65

### Identification

### Part number

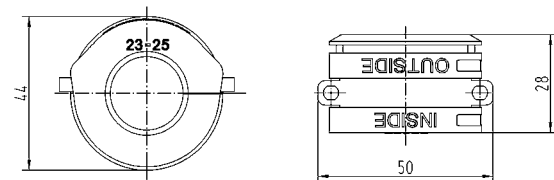
### Size

### Drawing

### Dimensions in mm

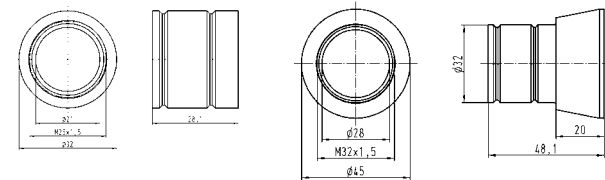
#### Han® Easy Hood

Cable seal 20 - 22 mm	11 30 000 9955	—
Cable seal 23 - 25 mm	11 30 000 9956	—
Cable seal 26 - 28 mm	11 30 000 9957	—
Cable seal 29 - 31 mm	11 30 000 9958	—
Cable seal 32 - 34 mm	11 30 000 9959	—



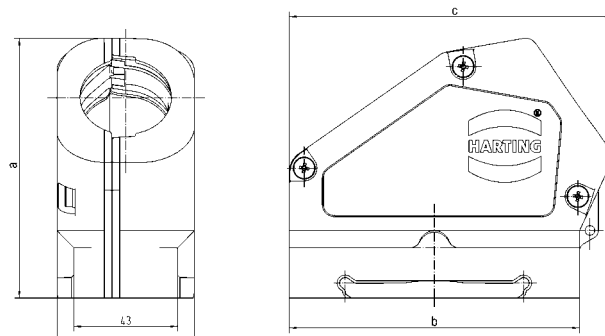
#### Thread adaptor

11 30 000 9961	M25
11 30 000 9962	M32



#### Han® Easy Hood

side entry	11 30 016 0520	16 B
	11 30 024 0520	24 B



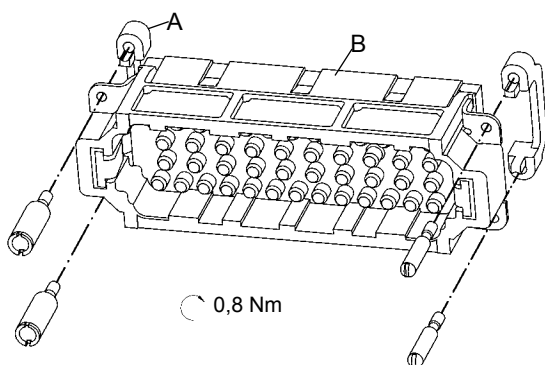
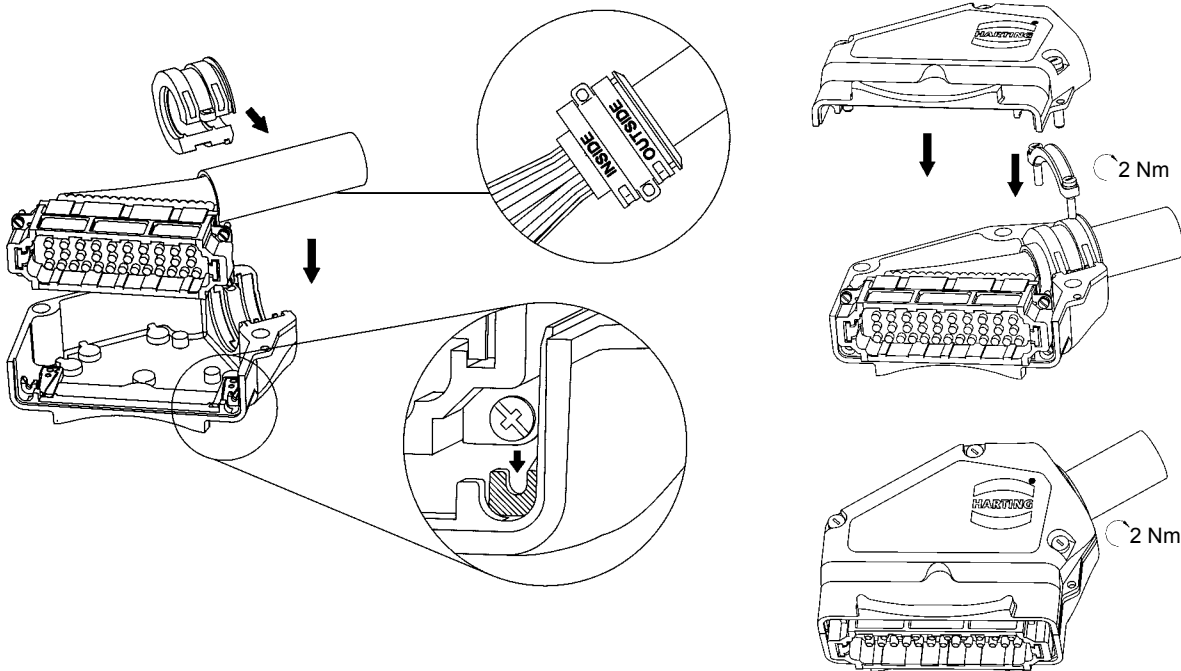
Size	a	b	c
16 B	100 mm	94 mm	112 mm
24 B	108 mm	120.5 mm	139 mm

**Packaging content**  
 upper hood, lower hood,  
 3 fixing screws, cord grip,  
 2 screws for clamp fixing,  
 2 adaptors for guide pins and  
 bushes



## Technical Description

The Han® Easy Hood offers a vertical split into two shells with new assembling possibilities. Assembly processes can be changed to much more modular production steps with new logistics. The wiring can be controlled. All manual movements changed from axial to vertical processes leading to automation possibilities.



### Note when using guide pins / bushes:

When using guide pins / bushes the user needs to apply the adaptors „A“ on both sides of the insert „B“. The recommended tightening torque is 0.8 Nm. Afterwards the insert can be placed in the Han® Easy Hood.